

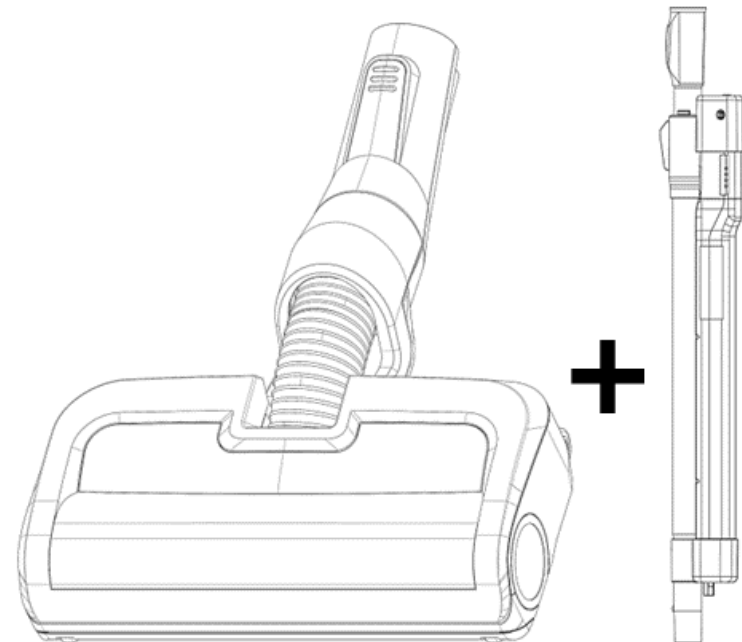


WESSEL-WERK

EBK 250DC+PowerWand

EBK 250 120 volt

120v Power Brush/Battery Brush/Battery Wand



Operating Manual

Wessel-Werk USA
128 Gasoline Alley
Mooresville, NC 28117
www.wessel-werk.com
704-658-0502

Attention!

Do not use the device without having read the instructions for use

Intended use

This electric brush attachment and battery wand is designed for household use in the cleaning of dry floors. This includes carpeting, area rugs as well as hard floor surfaces such as wood, ceramic tile, vinyl tile etc. This product is not design to pick up liquids or damp debris.

The device should not be used to vacuum or brush living beings.

The device must not be used to vacuum flammable liquids, gases and dusts such as perfume, aftershave, cleaning agents, coal dust, ash etc.

The device may only be used in combination with a vacuum cleaner provided for this purpose. For details, please refer to the instructions for use of the respective vacuum cleaner.

Intended use also includes following these instructions for use.

ATTENTION!

- This device is **not suitable** for the recovery of hazardous dust.
- This device is intended for **dry use only** and must not be used or stored outdoors in wet conditions.
- Use only original manufacturer's parts. Use of non-original manufacturer's parts can affect safety and void any warranties.
- Do not use this power telescopic wand for any other purpose.

Safety Instructions

- Read and follow these instructions before using this product, as well as the instructions for your vacuum cleaner. This knowledge will protect yourself and prevent damage to the device and floors being cleaned.
- The device complies with the relevant safety regulations. Repairs may only be carried out by experienced small appliance repair professionals. Improper repairs can pose significant risks to the user.
- Disconnect the device from the power source when servicing.
- Do not bring loose clothing, hair, fingers or such near the device openings. Do not reach into the running brush roller, injury could occur.
- Do not leave the connected device unattended.
- Use of this product is not recommended for children under age 8. Use of this product is only recommended after training and under supervision by children 8 years of age and older, persons with reduced physical, sensory or mental abilities. These users must be trained in the safe use of the product and understand the potential dangers when the product is not used as recommended. Children must not play with the device. Cleaning and user maintenance must not be carried out by children without supervision.
- Do not allow the device to come into contact with water.
- Do not vacuum up liquids or damp dirt with the electric brush. Use in these conditions can also lead to considerable malfunctions on the vacuum cleaner. Use in this way can also affect protection against electric shock. This also applies to freshly shampooed or spray-extracted carpets or upholstered furniture.
- Liquids and cleaning agents should not come into contact/seep into with openings of the electric brush. This can damage the electronics and the electric motor.
- Flammable liquids, gases and dusts, such as perfume, aftershave, cleaning agents, coal dust etc., can explode when vacuumed and cause injuries.
- Do not vacuum up glowing ash or charcoal, as this can cause the electric brush and the vacuum cleaner to catch fire.
- Do not vacuum up heavy, hard or sharp-edged objects. You could block and damage the electric brush.
- Don't operate the electric brush over exposed cables.
- The electrical connector must be checked regularly for damage. If there is any damage, the electrical connection piece must be replaced immediately by a qualified small appliance repair professional.

This booklet has basic operating instructions for the following vacuum cleaner accessories:



EBK 250 Battery Powerhead



BatteryWand



**EBK 250 120v AC Cord Operated Power
Brush**



**EBK 250 120v
with Wand**



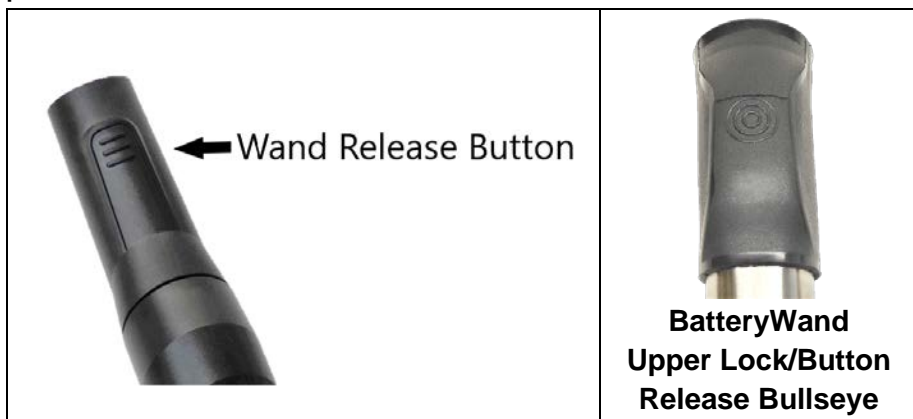
**EBK 250 Battery with
PowerWand**

Assembly and Connection to the Vacuum

Only operate this battery brush with the corresponding battery wand. The integrated electrical connection system will automatically couple when attached to the PowerWand.



There are automatic locking mechanisms on the top and bottom of this PowerWand. Press the release mechanism to disconnect the handle from the wand or the wand from the powerhead. The switch to turn the electric brush on/off is at the top of the battery pack/wand.



Please Note:

There is a delay when turning the brush on and off. The operator must **PRESS AND HOLD** the button to turn the brush on and off.

Charging

Shipping a fully charged Lithium-Ion battery is prohibited. A new battery just 'out of the box' will only have a partial charge. To ensure a full battery charge, completely charge the battery before using.

It is always best to disconnect the charger from the battery after full charge has been achieved.

Recharge only by the original charger model 19.1 156-300 and 19.1 155-300.

Operation

Press and Hold the on/off button (less than 0.25 seconds) to activate the display. The number of green lights indicates the extent of the charge in the battery. All 4 lights lite indicates nearly full/full charge.

Press and Hold the on/off button (more than 2.0 seconds) to power on/off the powerbrush. During operation the display shows the actual status of battery.

This electric brush has been designed to clean both hard surfaces and carpet. A set of 2 brushrolls commonly come with the EBK 250. The brushroll with 3 grey soft brush strips is designed for hard floors. The brushroll with alternating red and blue brush strips is designed to clean carpets. For best results, use the hardfloor brush when cleaning hard floors and the carpet brushroll when cleaning carpet. If the operator prefers to only use one brushroll, not change brushrolls back and forth, the hardfloor brushroll is recommended.



The operator will notice more push/pull resistance on heavier carpets. On heavier carpets, the operator should open the air relief valve on the PowerWand and/or the hose handle. The push/pull resistance can also be lowered if your vacuum is equipped with an adjustable vacuum/suction control. Reducing the RPMs of the vacuum will reduce the push/pull resistance.

Overload protection

This powerhead/powerwand is equipped with automatic overload protection. This 'circuit breaker' will be activated when the motor is overloaded or the brush roller is blocked and cannot turn. This commonly occurs when a bulky object is accidentally vacuumed. Typical objects that stop the rotating brush are socks, strings, fringes of area rugs, long human or pet hair.

If this happens:

Switch off the electric brush and disconnect it from the power source. (Disconnect the powerhead from the wand).

- Eliminate the cause of the error. If necessary, clean the brush roller as described under Maintenance and Care.
- After a short wait (about 15 seconds) the device can be switched on again.

Maintenance and Care

Attention! Remove the powerbrush from the power source before conducting any work on the device (disconnect the powerhead from the battery wand).

The battery pack is maintenance free.

Do not allow cleaners, disinfectants or liquids to enter any openings in the device. Failure to do so could cause damage to the device and the operator.

If hair or threads are wrapped around the brush roller:

- Cut threads and hair with the on-board cleaning tool, cleaning tool or scissors (picture 4).
- Switch on the vacuum cleaner and electric brush. The cut hair and threads will be sucked into the cleaner. Repeat if necessary.

Additional Maintenance work, in particular replacement of components and repairs, may only be performed by a trained and experienced small appliance repair professional.

Maintenance and service

Attention! It is strongly recommended that all maintenance and service work be conducted only by the manufacturer or a trained and experienced small appliance repair professional.

- Do not open the battery pack
- If the electrical connector is damaged, it must be replaced immediately to avoid endangering the user.

- Replacement of the electrical connector only with original manufacturers replacement parts.
- If threads or hair have been wrapped around the brush roller bearing that cannot be removed in the manner described above, the brush roller can be removed, cleared and cleaned.
- The LED Headlight (optional) is maintenance free. In the event of a failure, it can be replaced by a trained service professional.
- The brushroll and belt are wear-items. At some point, after much use, replacement of the brushroll and belt is recommended. Replacement of the belt should be conducted by a trained service professional

Know your Product

Picture#1



Picture#2



Picture#3



For your Records

Rating Plate

The model number is indicated on the rating plate which is located on the bottom of the nozzle. For prompt and complete service, always refer to these numbers when contacting your place of purchase for service.

Model No. **EBK 250**

Date of Purchase: _____

Where Purchased: _____
Company

_____ Address

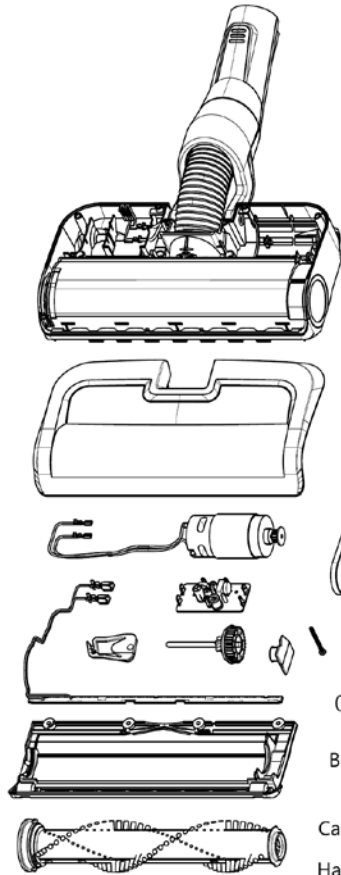
_____ City

_____ State Zip Code

_____ Phone

EBK 250

24v 120v



Baseplate Complete
Includes Baseplate Neck and Hose
120v 13.9 099-309
24v 13.9 099-316

Cover Complete with carbon fiber decal
Black 13.9 099-307
White 13.9 099-308

Motor Complete 120v 13.9 099-311
24v 13.9 099-310

Belt 19.2 963-01

Circuit Board 120v 13.9 099-315
LED Light Bar (120v and 24v) 13.9 099-305

Bushing Holder 13.9 099-312
Brushroll Drive Wheel Complete 13.9 099-313

Screw 09.1 004-306
Brushroll cleaner/hair cutter 13.4 217-300

③ = Front Wheel & Axel Set (2 each) 13.9 099-319

Brushroll Compartment Cover Complete 13.9 099-309
with Wheels, Axels and Felts

Carpet Brush Roll-red and blue brush strips 13.9 099-302

Hardfloor Brush Roll- 3 Grey Fluffy Brush Strips 13.9 099-318

Description	Part Number
Baseplate Complete 120v includes baseplate, neck and hose	13.9 099-309
Baseplate Complete 24v includes baseplate, neck and hose	13.9 099-316
Cover with Carbon Fiber Decal Black	13.9 099-307
Cover with Carbon Fiber Decal White	13.9 099-308
Motor Complete 120v	13.9 099-311
Motor Complete 24v	13.9 099-310
Belt-EBK 250	19.2 963-01
Circuit Board 120v	13.9 099-315
LED Light Bar -120v and 24v	13.9 099-305
Bushing Holder-Drive side	13.9 099-312
Brushroll Drive Gear Complete	13.9 099-313
Screw EBK 250	09.1 004-306
Brushroll Cleaner/Hair Cutter	13.4 217-300
Front Wheel & Axel Set (2 each)	13.9 099-319
Brushroll Compartment Cover Complete With Wheels, Axels and Felts	13.9 099-309
Carpet Brushroll-red and blue bristles	13.9 099-302
Hardfloor Brushroll-3 grey fluffy strips	13.9 099-318



This device complies with the following EG directives:

- 2014/35/EU – Low Voltage Directive
- 2014/30/EU – EMC directive
- 2011/65/EG – RoHS directive



August 2022