

Vacu Sweep®



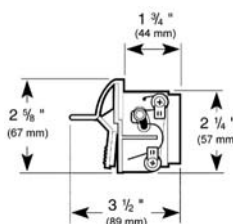
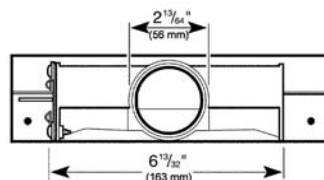
Features & Benefits

- Attractive design leaves no unsightly gaps when not in use
- Rear entry design and sculptured corners allows for ease of installation when door is in an open position
- Large opening facilitates acceptance of material being swept into valve
- Fits easily in the kick space of a cabinet, or within a 2" x 4" stud wall
- Spring loaded wire connections reduce time of installation

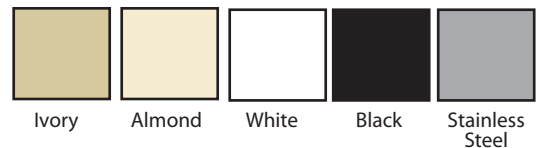
Sweep with Ease!

The VacuSweep® Sweep Inlet Valve makes it easy for debris and dirt to be quickly swept and removed from non-carpeted surfaces.

For use in kitchens, mudrooms, workshops, hair salons, retail stores, any sweepable area in either a residential or commercial environment, the VacuSweep® Sweep Inlet Valve will clearly satisfy all your needs.



Available Colours



Part Number	Colour	Ctn. Qty.	Ctn/Skid
775600	Ivory	10	72
775600A	Almond	10	72
775600W	White	10	72
775600BLK	Black	10	72
775600S	Stainless Steel	10	72





VacuSweep® Accessories

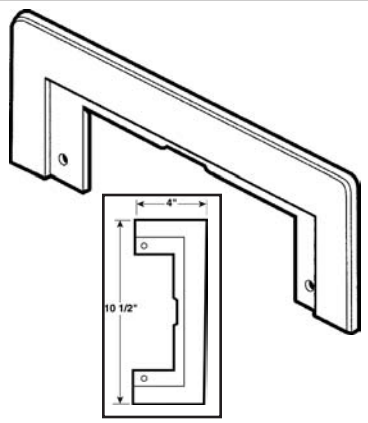
VacuSweep® Trim Plate

The VacuSweep® Trim Plate mounts behind the VacuSweep® to cover unsightly gaps, hide screws, or to enhance the decor of the VacuSweep®.

Available Colours



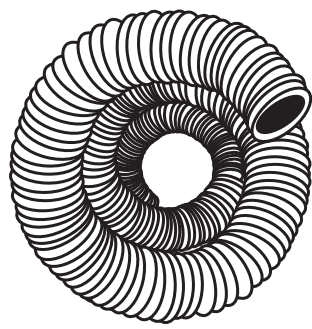
Part Number	Colour	Ctn. Qty.	Ctn/Skid
775601	Ivory	25	330
775601A	Almond	25	330
775601W	White	25	330
775601BLK	Black	25	330



VacuSweep® Flexible Hose

The VacuSweep® Flexible Hose is the recommended choice when connecting the VacuSweep® to a central vacuum system. Its ability to bend and stretch gives the installer increased flexibility when installing (or servicing) a VacuSweep®.

Part Number	Colour	Length
775700-2	Black	4'
775700-3	Black	5'



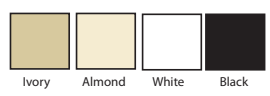
Note: Flexible Hose should not be glued to the VacuSweep®. Hose clamps are recommended.

VacuSweep® Installation Kit

Includes:

- VacuSweep® inlet valve
- Trim plate
- 4' flexible hose
- Two pipe link adapters
- Two hose clamps

Available Colours



Part Number	Colour	Ctn. Qty.
775700	Ivory	1
775700A	Almond	1
775700W	White	1
775700BLK	Black	1



Canplas Industries Ltd.
 P.O. Box 1800, 500 Veterans Drive
 Barrie, Ontario
 Canada L4M 4V3
 Tel: (705) 726-3361
 Toll Free: 1-800-461-5300
 Fax: (705) 726-2186
 Website: www.vaculine.com
 Email: vaculine@canplas.com

Canplas LLC
 11402 East 53rd Ave.
 Suite 200, Denver, CO
 U.S.A. 80239
 Tel: (303) 373-1918
 Toll Free: 1-888-461-5307
 Fax: (303) 373-1923
 Website: www.vaculine.com
 Email: vaculine@canplas.com