

Simplicity[®]

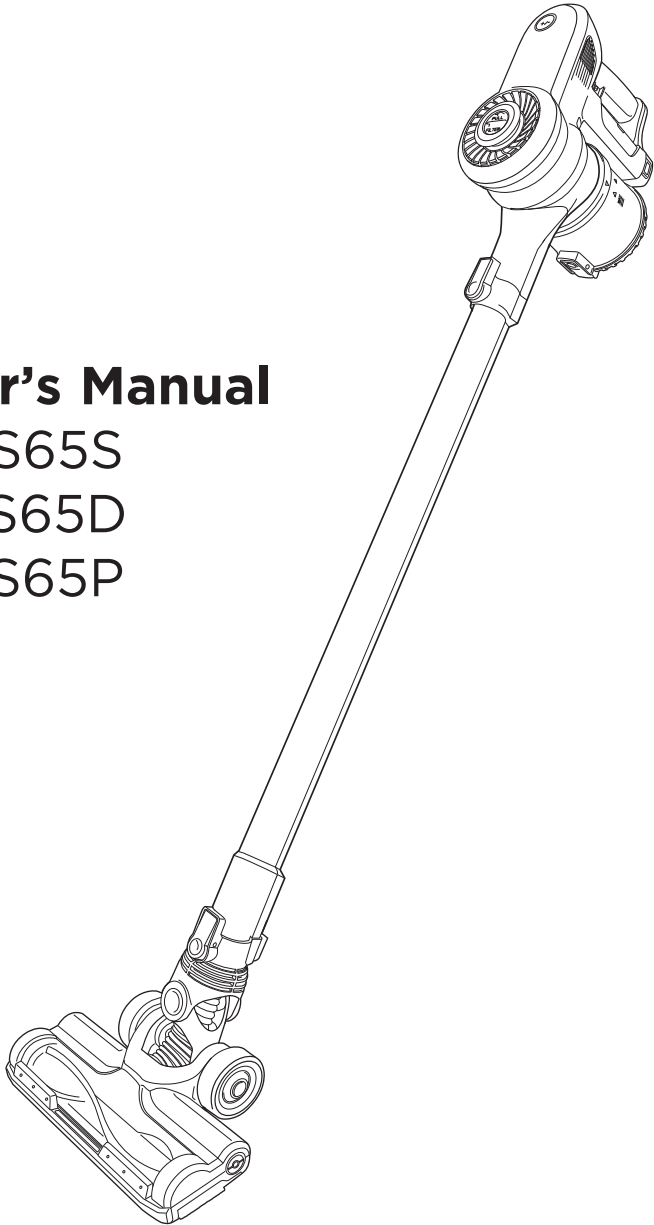
VACUUMS

Owner's Manual

S65S

S65D

S65P



Getting Started

Important Safety Instructions	2
Description of the Vacuum	3

Assembling the Vacuum

Attaching the Wand and Floor Nozzles	4
Installing/Removing/Charging the Battery (S65S and S65D)	5
Installing/Removing/Charging the Battery (S65P)	6
Storing the Vacuum	7

Operating the Vacuum

On/Off Switch	8
2-Speed Switch	8

Attachment Cleaning

Carpet/Bare Floor Nozzle	9
Bare Floor Soft Nozzle	9
Pet Tool Turbo Brush	10
Crevice/Dusting Combo Tool.....	10
Upholstery Tool	10
Angle Adapter	10

Maintenance and Care

Emptying the Dust Cup	11
Removing and Replacing the Dust Cup (for Cleaning)	11
Replacing the Filter	12
Removing the Brushroll	13
Cleaning the Brushroll	13

Problem Solving Guide

Troubleshooting	14
How to Contact Your Authorized Retailer	14
Key Replacement Parts	14
For Best Performance	14
Warranty	15

IMPORTANT SAFETY INSTRUCTIONS

When using an electrical appliance, basic precautions should always be followed, including the following:

READ ALL INSTRUCTIONS BEFORE USING THIS APPLIANCE. FOR HOUSEHOLD USE ONLY.

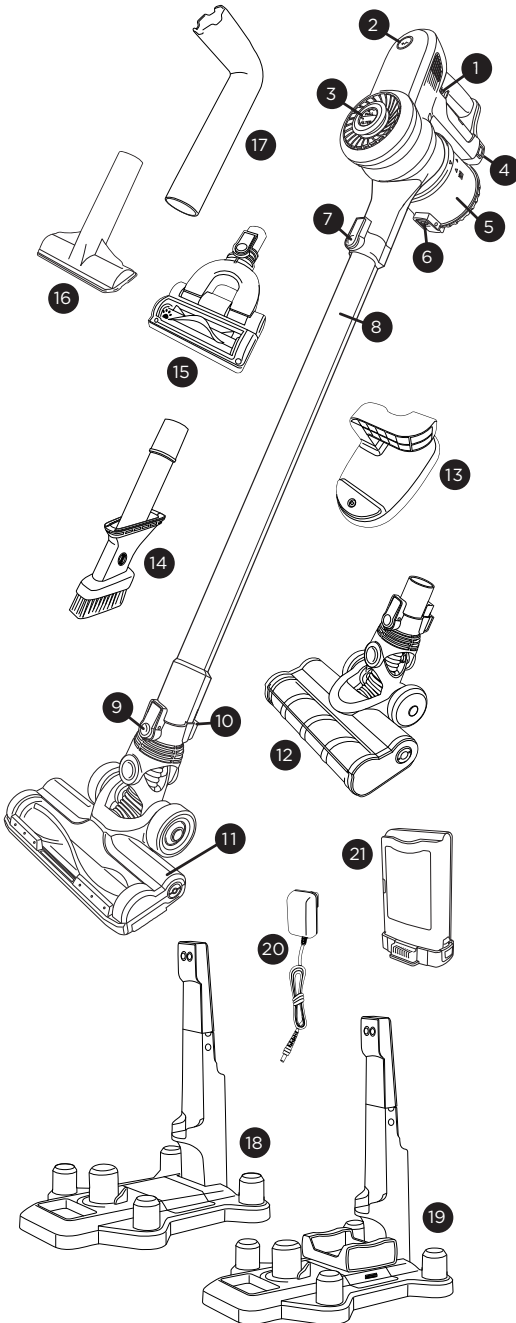
IMPORTANT: The manufacturer cannot accept responsibility for damage caused when the appliance is not used according to the instructions, or for uses other than those for which it was intended.

WARNING: To reduce the risk of fire, electric shock, damage or injury:

- Fully assemble vacuum before operating.
- Use and store in a dry location.
- Do not use outdoors or on wet surfaces.
- Do not allow to be used as a toy. Close attention is necessary when used by or near children or when used near pets. Do not use on pets.
- Use only as described in this manual.
- Do not use charger with damaged cord or plug. If appliance or charger is not working as it should, has been dropped, damaged, left outdoors, or dropped into water, return it to an Authorized Retailer for service.
- Do not pull or carry charger by cord, use cord as a handle, close a door on the cord, or pull cord around sharp edges or corners. Do not run appliance over cord. Keep cord away from heated surfaces.
- Do not unplug charger by pulling on cord. To unplug charger, grasp the plug, not the cord.
- Do not handle charger, including charger plug, and charger terminals with wet hands.
- Do not put any object into openings. Do not use with any opening blocked; keep free of dust, lint, hair and anything that may reduce air flow.
- Keep hair, loose clothing, fingers and all parts of the body away from openings and moving parts.
- Do not pick up anything that is burning or smoking, such as cigarettes, matches or hot ashes.
- Use extra care when cleaning on stairs.
- Do not use to pick up flammable or combustible liquids such as gasoline or use in areas where they may be present.
- Do not attempt to service the unit while charger is plugged in.
- Do not charge the unit outdoors.
- Recharge only with the charger specified by the manufacturer. A charger that is suitable for one type of appliance may create a risk of fire when used with another appliance; Charger part # C240-0900 from Simplicity, Use appliances only with specifically designated battery packs. Use of any other battery packs may create a risk of injury and fire. Battery Pack part# C240-0100 from Simplicity.
- Do not open, crush, expose to heat above 100°C (212°F) or incinerate the battery even if it is severely damaged. The battery can explode in a fire.
- The appliance should be stored only in the temperature range of -20-35°C and used and charged only in the range of 0-40°C.
- Batteries must be disposed of responsibly. Contact an Authorized Retailer for information on battery disposal. To find battery recycle pickup sites near you, please visit www.call2recycle.org.
- Remove the battery before performing any service on the vacuum.
- Under abusive conditions, liquid may be ejected from the battery; avoid contact. If contact accidentally occurs, flush with water. If liquid contacts eyes, seek medical help. Liquid ejected from the battery may cause irritation or burns.

SAVE THESE INSTRUCTIONS

DESCRIPTION OF THE VACUUM



- 1 On/Off Switch
- 2 2-Speed Switch
- 3 Filter Release Knob
- 4 Battery Compartment
- 5 Dust Cup
- 6 Dust Cup Release Button
- 7 Wand Release Button
- 8 Metal Wand
- 9 Floor Nozzle Release Button
- 10 Nozzle Storage Hook
- 11 Carpet/Bare Floor Nozzle
- 12 Bare Floor Soft Nozzle (S65P)
- 13 Storage Wall Mount
- 14 Crevice/Dusting Combo Tool
- 15 Pet Tool Turbo Brush (S65D/S65P)
- 16 Upholstery Tool (S65D/S65P)
- 17 Angle Adapter (S65P)
- 18 Storage/Charging Station (S65S/S65D)
- 19 Storage/Dual-Charging Station (S65P)
- 20 Power Adapter
- 21 Battery (S65S/S65D x 1)
(S65P x 2)

ASSEMBLING THE VACUUM

Attaching the Wand and Floor Nozzles

NOTE: Do not operate the vacuum until it is completely assembled.

The vacuum, floor nozzles, wand and accessories are packed separately.

1. Connect the male end of the metal wand to the vacuum (Fig. 1).
2. Connect the female end of the metal wand to either floor nozzle or tools as required (Fig. 2).
3. Place the other tools on the Storage/Charging Station (Fig. 3).

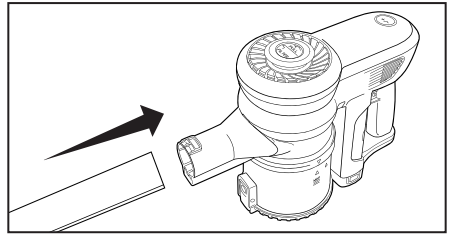


Fig. 1

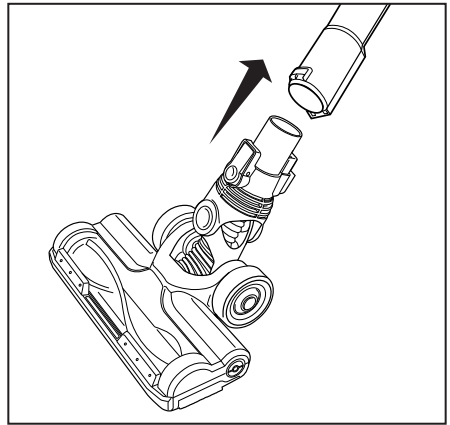


Fig. 2

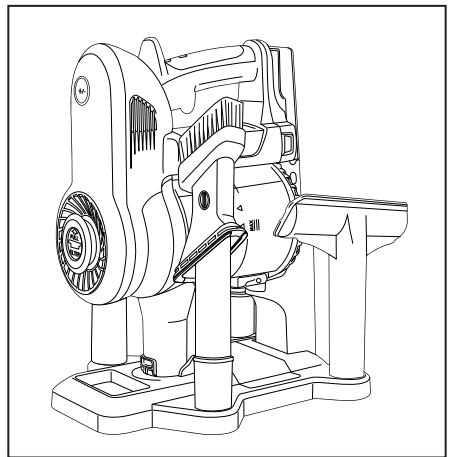


Fig. 3

ASSEMBLING THE VACUUM (S65S AND S65D)

WARNING: The S65 battery included can only be used with the S65 model as intended.

Installing the Battery

Push the battery into the battery compartment until it clicks into place (Fig. 1).

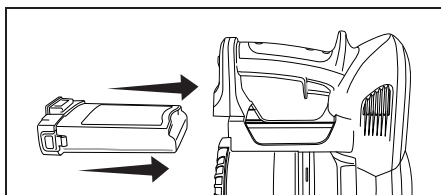


Fig. 1

Removing the Battery

Press the two battery release buttons and pull the battery pack out of the vacuum (Fig. 1).

Charging the Battery (S65S and S65D)

The battery is partially charged and will run for a short time.

1. Set the vacuum onto the Storage/Charging Station, ensuring the connection between points on vacuum with Storage/Charging Station (Fig. 2).
2. Plug the battery charger into the Storage/Charging Station and into an electrical outlet (Fig. 3). The indicator light on the battery will be red while the battery is charging. When the indicator light is blue, the battery is fully charged (Fig. 4). Charging time is approximately 4-5 hours.
3. Remove the battery charger from the vacuum and begin vacuuming.

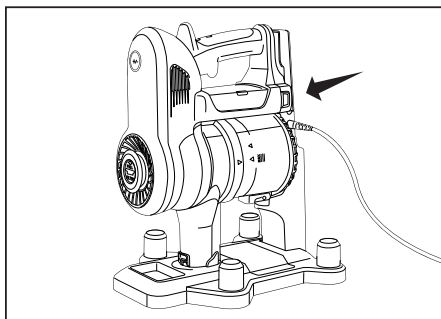


Fig. 2

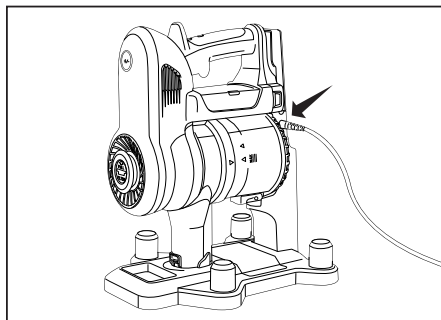


Fig. 3

Battery Indicator Light

Solid Blue = Fully Charged
Solid Red = Low Battery

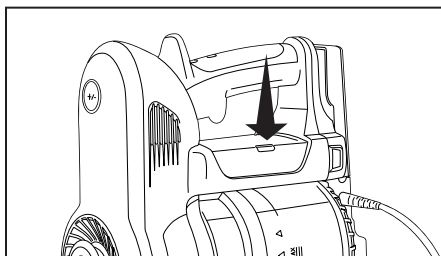


Fig. 4

ASSEMBLING THE VACUUM (S65P)

WARNING: The S65 battery included can only be used with the S65 model as intended.

Installing the Battery

Push the battery into the battery compartment until it clicks into place (Fig. 1). Push the second battery into the charging dock on the base of the Storage Charging Station until it clicks. (Fig. 2a)

Removing the Battery

Press the two battery release buttons and pull the battery pack out of the vacuum (Fig. 1) or the charging dock (Fig. 2a).

Charging the Battery (S65P)

The battery is partially charged and will run for a short time.

1. Set the vacuum onto the Storage/Charging Station, ensuring the connection between points on vacuum with Storage/Charging Station (Fig. 2b).
2. Plug the battery charger into the Storage/Charging Station and into an electrical outlet (Fig. 2c). The indicator light on the battery will be red while the battery is charging. When the indicator light is blue, the battery is fully charged (Fig. 3). Charging time is approximately 4-5 hours.
3. The second battery will charge whether the vacuum is on the Storage/Charging Station or not. The charging dock indicator light is on top of the Storage Charging Station arm (Fig. 2d)

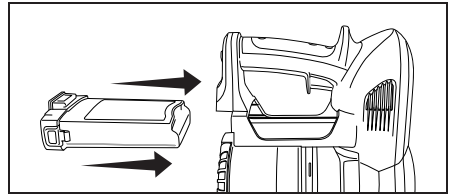


Fig. 1

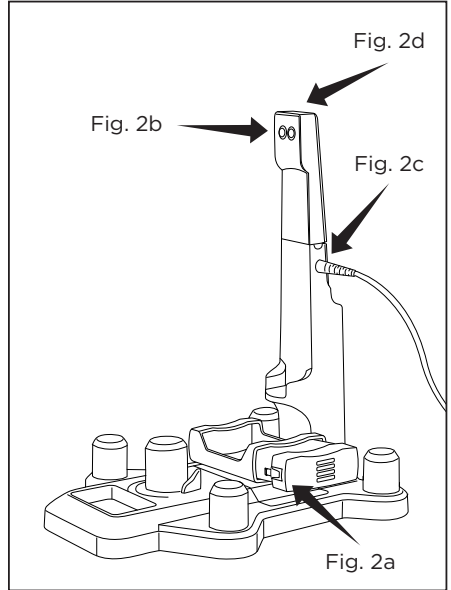


Fig. 2

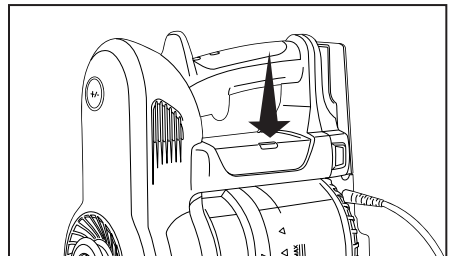


Fig. 3

Battery Indicator Light

Solid Blue = Fully Charged

Solid Red = Low Battery

ASSEMBLING THE VACUUM

Storing the Vacuum

The vacuum can be conveniently stored on the Storage/Charging Station, as well as the wand and cleaning tools when not in use (Fig. 1).

Both floor nozzles have a storage hook on the back for convenient storage on the Storage/Charging Station (Fig. 2).

The vacuum can also be stored on the wall mount for easy access. Attach the mount to a wall for convenient storage (Fig. 3a). A template and screws are provided to help you affix the wall mount to the wall.

The vacuum can be charged on the wall mount by plugging the charger into the vacuum handle (Fig. 3b).

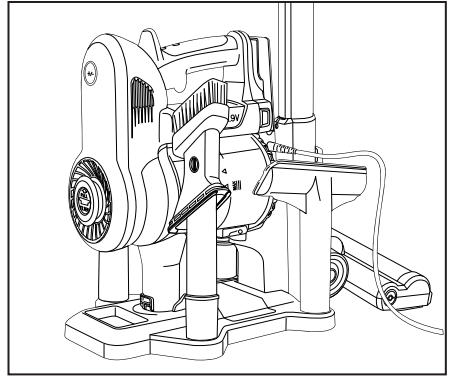


Fig. 1

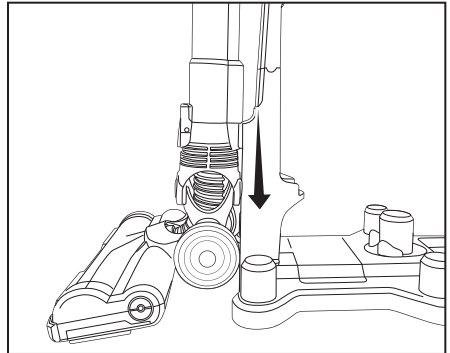


Fig. 2

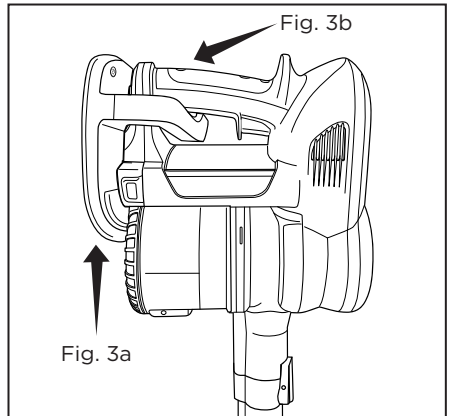


Fig. 3

OPERATING THE VACUUM

On/Off Switch

To turn vacuum on or off, pull the trigger switch inside the handle (Fig. 1).

2-Speed Switch

Low Speed

The vacuum automatically starts on low speed for cleaning bare floors and rugs.

High Speed

Push the 2-speed switch on top of the vacuum for high speed cleaning rugs and carpet (Fig. 2). The switch will light up blue.

NOTE: The vacuum has a slow start feature and will take a moment to start after you pull the trigger. This is normal.

Using the vacuum on high speeds reduces the runtime of the battery. Runtimes may vary based on floor surface, charge level and age of battery.

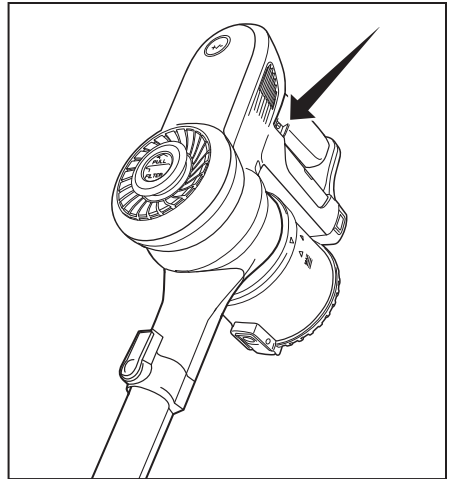


Fig. 1

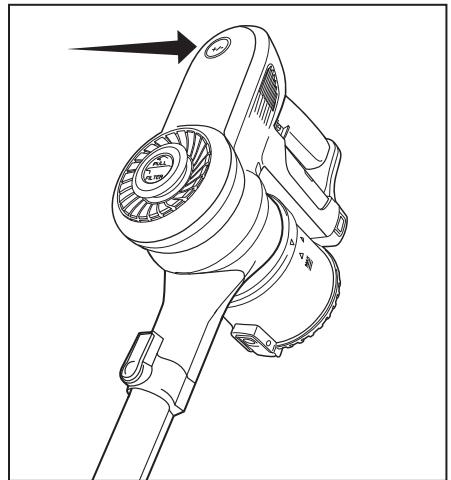


Fig. 2

ATTACHMENT CLEANING

Floor Nozzles

Floor nozzles can be attached to the end of the wand for floor cleaning or directly to the vacuum to clean stairs or small spaces.

Carpet/Bare Floor Nozzle

Ideal for cleaning carpets, rugs and bare floors (Fig. 1).

Bare Floor Soft Nozzle (S65P)

Ideal for all hard floor surfaces, wood, vinyl and tile. Gently buffs while it cleans (Fig. 2).

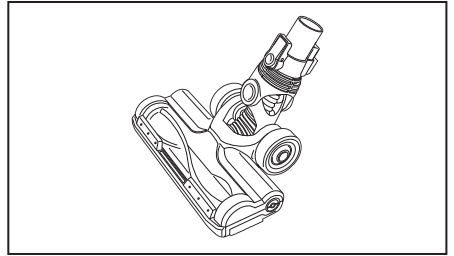


Fig. 1

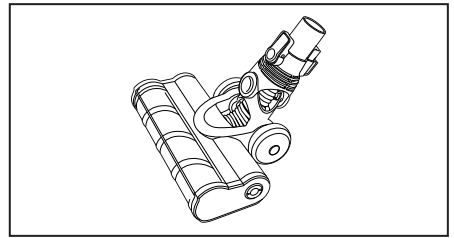


Fig. 2

ATTACHMENT CLEANING

The vacuum is equipped with a pet tool turbo brush, crevice/dusting combo tool, upholstery tool and angle adapter. Attach any of the tools onto the vacuum or the end of the wand (Fig. 1).

Pet Tool Turbo Brush (S65D and S65P)

Ideal for removing pet hair from upholstery and vehicles (Fig. 2).

NOTE: Do not use pet tool on pets.

Crevice/Dusting Combo Tool

Ideal for tight places, between seat cushions or corners. Remove the attachment to use as a crevice tool. Add the attachment with brushes exposed to use as a dusting brush. Add the attachment with felt exposed to use as upholstery tool (Fig. 3).

Upholstery Tool (S65D and S65P)

Ideal for soft surfaces and furniture (Fig. 4).

Angle Adapter (S65P)

Attach to the end of the wand. Then attach any tool for cleaning hard to reach areas (Figs. 5 & 6)

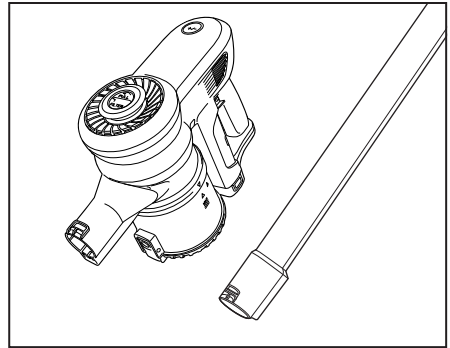


Fig. 1

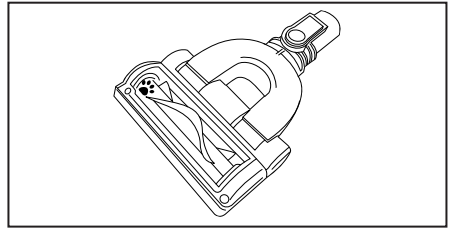


Fig. 2

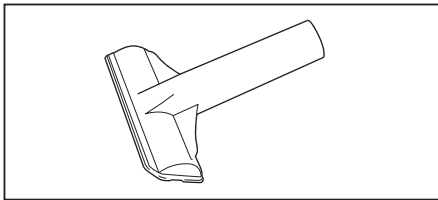


Fig. 4

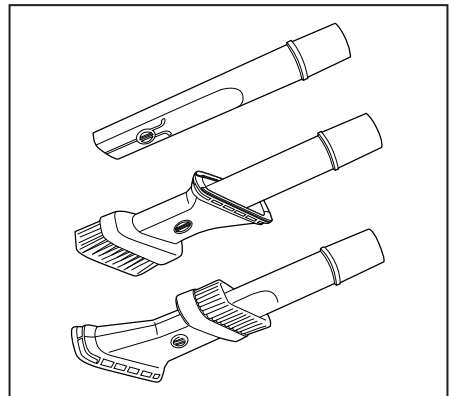


Fig. 3

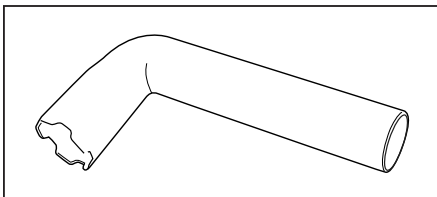


Fig. 5

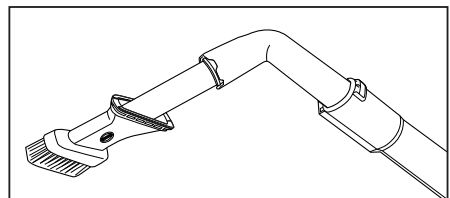


Fig. 6

MAINTENANCE AND CARE

NOTE: Always turn off the vacuum and remove the battery before performing any service.

Emptying the Dust Cup

1. Press the wand release button and remove the wand from the vacuum.
2. Hold the dust cup over a trash container.
3. Push the dust cup release button to release the bottom of the dust cup (Fig. 1). The base will drop down and the debris will fall into the trash container.
4. Shake the dust cup to release any debris that might be inside the dust cup.
5. When the dust cup is empty of debris, firmly push the base onto the dust cup until it clicks and is fully latched (Fig. 2).

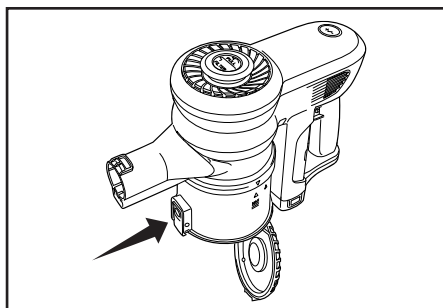


Fig. 1

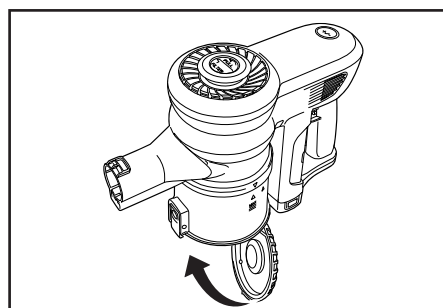


Fig. 2

Removing and Replacing the Dust Cup (for Cleaning)

1. Turn the dust cup counter-clockwise to line-up the arrows and remove from the vacuum (Fig. 3).
2. Turn the internal cylinder clockwise to remove from the vacuum (Fig. 4).
3. Rinse the dust cup and internal cylinder with warm water and allow to dry thoroughly before re-attaching to the vacuum.
4. Replace the internal cylinder and dust cup onto the vacuum.

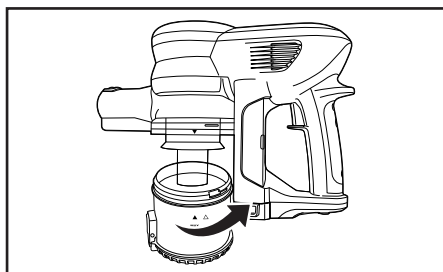


Fig. 3

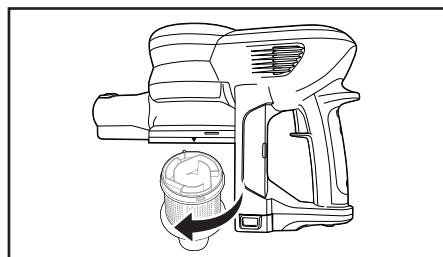


Fig. 4

MAINTENANCE AND CARE

NOTE: Always turn off the vacuum and remove the battery before performing any service.

Replacing the Filter

1. Lift up the filter release knob and remove the filter holder from the vacuum (Fig. 1).
2. Turn the filter counter-clockwise to remove from the filter holder (Fig. 2).
3. Replace with a new filter turning it clockwise until it snaps into the filter holder.
4. Replace the filter holder into the vacuum (Fig. 3).

NOTE: Filter cannot be washed and reused.

When to Change the filters

If someone in your household suffers from allergies, it is recommended you change the filter every six months. Otherwise, the filter should be replaced every year.

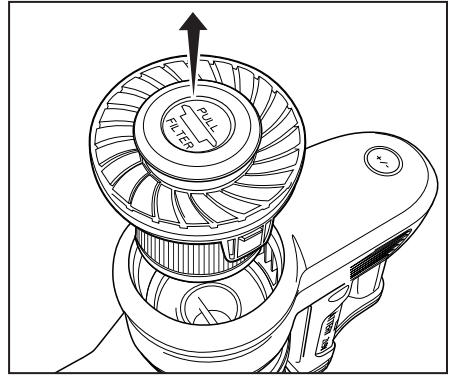


Fig. 1

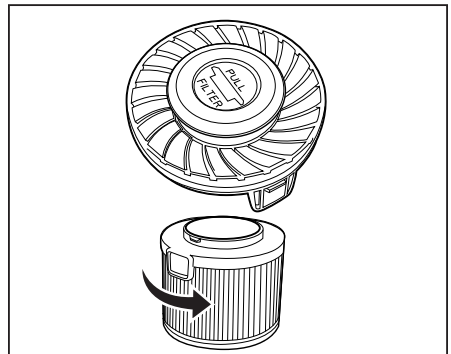


Fig. 2

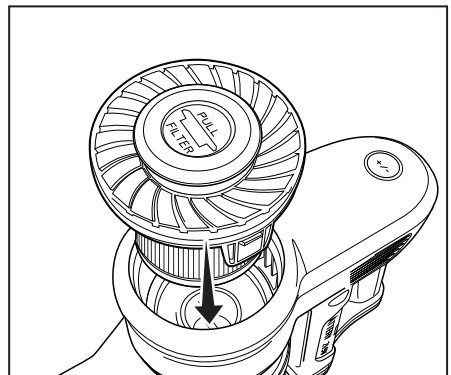


Fig. 3

Removing the Brushroll

NOTE: Always turn off the vacuum and remove the battery before performing any service.

1. Remove the floor nozzle from the wand. Turn the floor nozzle over (Fig. 1).
2. Use a coin or screwdriver to turn the screw counter-clockwise (Fig. 2). Then lift off the brushroll cover.
3. Remove the brushroll to clean.
4. Replace the brushroll then replace the brushroll cover. Tighten the screw by turning once clockwise.
5. Re-attach the floor nozzle to the wand and continue to vacuum.

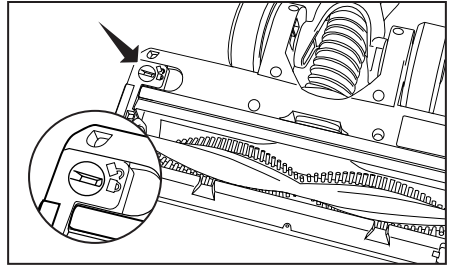


Fig. 1

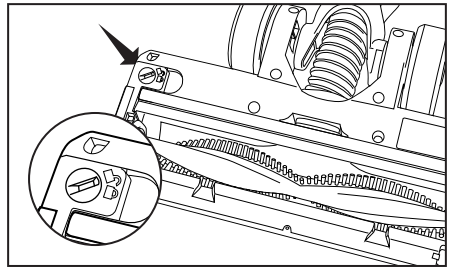


Fig. 2

Cleaning the Brushroll

NOTE: Always turn off the vacuum and remove the battery before performing any service.

1. To maintain efficient cleaning, the brushroll must be kept free of carpet fiber, string, or hair buildup. After every 7 to 10 uses, remove the battery and turn the vacuum cleaner over and check the brushroll for fiber and hair buildup.
2. Use scissors to remove any buildup entangled around the brushroll (Fig. 3).

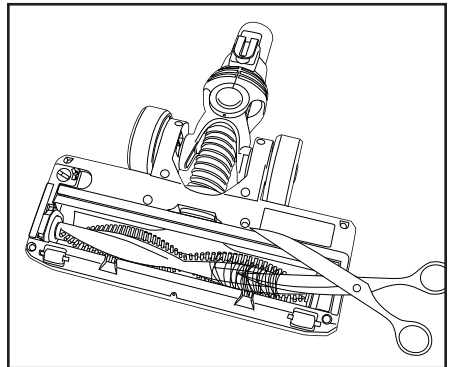


Fig. 3

PROBLEM SOLVING GUIDE

Troubleshooting

WARNING! To reduce the risk of electrical shock or injury from moving parts, turn off the vacuum and remove battery before servicing or cleaning.

CAUTION! To reduce the risk of electric shock, do not handle plug or appliance with wet hands.

PROBLEM	CHECK POINT	POSSIBLE SOLUTION
Vacuum will not operate	Battery charge	Charge the battery
	Battery installation	Install battery correctly
	Vacuum, wand and floor nozzle connection	Assemble wand and floor nozzle correctly to vacuum
Vacuum will not pick-up dirt or suction power is weak	Full or clogged dust cup	Empty dust cup
	Worn brushroll	Replace brushroll
	Clogged floor nozzle	Check for clogs
	Clogged wand	Check for clogs
	Wand not inserted fully to vacuum	Insert wand fully to vacuum
	Dirty Filter	Replace filter
Brushroll does not turn	Brushroll	Clean the brushroll
Dirt escaping from vacuum	Full or clogged dust cup	Empty dust cup
	Filter not installed correctly	Install filter correctly
	Puncture in filter	Replace filter

How to Contact Your Authorized Retailer

Any other service should be performed by an Authorized Retailer. To locate your nearest Authorized Retailer, visit SimplicityVac.com or call 888-974-6759.

Key Replacement Parts

- Genuine HEPA Media Filter: SF65

For Best Performance

- Keep machine and all accessories clean and in good operating condition.
- Empty dust cup frequently and clean or replace the filter routinely.
- Always use genuine filters and parts, as use of other products may result in poor cleaning or filtration performance. Simplicity Vacuum filtration products are designed for maximum performance.
- Store machine carefully in a dry area.
- For optimum cleaning performance and safety, follow your owner's manual.

What is Covered:

This warranty covers any defects in material and workmanship in the vacuum and applies exclusively to the original purchaser.

How Long Coverage Lasts:

Visit Simplicityvac.com for warranty information.

What is Not Covered:

- Damage to the vacuum which occurs from neglect, abuse, alterations, accident, misuse or improper maintenance.
- Normal replacement items: disposable filters.

What We Will Do:

This warranty provides, at no cost to you, all labor and parts to keep this vacuum in correct operating condition during the warranted period.

How to Get Service:

Warranty service can only be obtained by presenting the vacuum to an Authorized Retailer. A proof-of-purchase and product serial number will be required before service is rendered. To locate your nearest service center, please call 888-974-6759 or visit SimplicityVac.com.

THIS WARRANTY IS EXCLUSIVE AND IN LIEU OF ANY AND ALL OTHER WARRANTIES WHETHER WRITTEN, ORAL, EXPRESSED OR IMPLIED, (INCLUDING ANY WARRANTY OF MERCHANTABILITY OR FITNESS FOR A PARTICULAR PURPOSE). THIS WARRANTY DISCLAIMS LIABILITY FOR INCIDENTAL OR CONSEQUENTIAL DAMAGES.

How State Law Applies:

This warranty gives you specific legal rights, and you may also have other rights which vary from state to state.

Owner's Warranty Information (keep this for your records...)

Store Name _____

Store Address _____ City _____ State _____ Zip _____

Telephone _____ Date of Purchase _____

Serial Number _____ Model Number _____

Register your warranty online at **SimplicityVac.com**



Simplicityvac.com/register-warranty

What's the *best* way to be a part of the in crowd?

It's simple: register your Simplicity vacuum today and activate your warranty.

How do you like your vacuum?

Once you've had some time to try out your new Simplicity vacuum, we want to know what you think — leave a product review. It only takes a few minutes and it helps us make our products better... and your home simply cleaner.



Simplicity[®]
VACUUMS

Simplicity[®]

VACUUMS

Manual del Usuario

S65S S65D S65P



Primeros Pasos

Instrucciones Importantes de Seguridad	2
Descripción de la Aspiradora	3

Ensamblaje de la Aspiradora

Acople de la varilla y de las boquillas para pisos	4
Instalación/Extracción/Carga de la Batería (S65S y S65D).....	5
Instalación/Extracción/Carga de la Batería (S65P).....	6
Almacenamiento de la Aspiradora	7

Funcionamiento de la Aspiradora

Interruptor de Encendido/Apagado (On/Off)	8
Interruptor de Dos Velocidades	8

Limpieza de los Accesorios

Boquilla para Alfombra/para Pisos sin Alfombra	9
Boquilla Suave para Pisos sin Alfombra	9
Cepillo Accesorio Turbo para Pelo de Mascotas	10
Accesorio Combinado para Limpiar Rincones y Ranuras.....	10
Accesorio para Tapizados	10
Adaptador para Ángulos	10

Mantenimiento y Cuidado

Vaciado del Depósito de Polvo	11
Extracción y Reemplazo del Depósito de Polvo (para limpieza)	11
Reemplazo del Filtro	12
Extracción del Cepillo Giratorio	13
Limpieza del Cepillo Giratorio	13

Guía de Resolución de Problemas

Identificación de Problemas	14
Cómo Comunicarse con su Distribuidor Autorizado	14
Piezas de Repuesto Importantes	14
Para un Mejor Funcionamiento	14
Garantía	15

INSTRUCCIONES IMPORTANTES DE SEGURIDAD

Al utilizar un electrodoméstico, siempre deben tomarse las precauciones básicas, incluidas las siguientes:

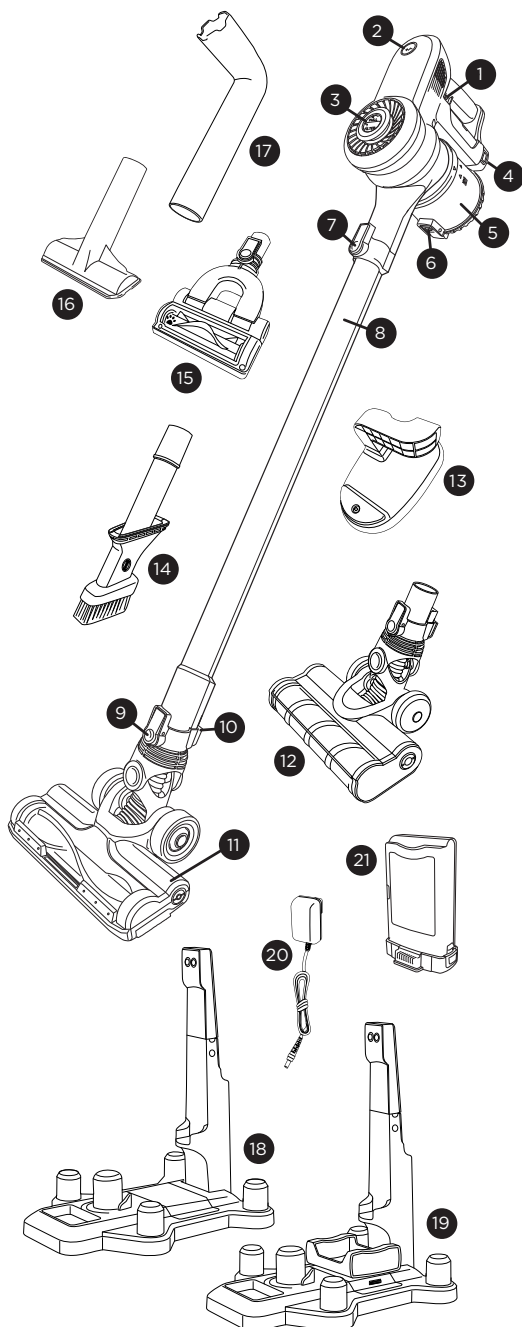
LEA TODAS LAS INSTRUCCIONES ANTES DE UTILIZAR ESTE ELECTRODOMÉSTICO. SOLO PARA USO EN EL HOGAR.

IMPORTANTE: El fabricante no puede aceptar la responsabilidad por los daños causados cuando el electrodoméstico no se utiliza de acuerdo con las instrucciones o cuando se utiliza para otros usos que no son aquellos para los que fue fabricado.

ADVERTENCIA: Para reducir el riesgo de incendio, descarga eléctrica, daño o lesión:

- Ensamble por completo la aspiradora antes de ponerla a funcionar.
- Úsela y guárdela en un lugar seco.
- No la use en exteriores o sobre superficies mojadas.
- No permita que se utilice como un juguete. Es necesario prestar mucha atención cuando es usada por niños, o cerca de ellos, o cuando se usa cerca de mascotas. No utilice en mascotas.
- Utilice la unidad solamente de acuerdo con lo descrito en este manual.
- No utilice el cargador si el cable o el enchufe están dañados. Si el electrodoméstico o el cargador no funcionan correctamente, se golpearon al caerse, se dañaron, se dejaron en el exterior o se sumergieron en agua, llévelos a su distribuidor autorizado para su reparación.
- No tire ni transporte el cargador desde el cable, no utilice el cable como agarradera, no presione el cable al cerrar una puerta ni tire el cable por encima de bordes o rincones rectos. No pase el electrodoméstico por encima del cable. Mantenga el cable alejado de superficies calientes.
- No desenchufe el cargador tirando del cable. Para desconectar el cargador, tire del enchufe, no tire del cable.
- No manipule el cargador, incluidos el enchufe o los terminales, con las manos mojadas.
- No coloque ningún objeto en los orificios de ventilación. No utilice la aspiradora si algún orificio de ventilación está obstruido; manténgala libre de polvo, pelusa, cabello y cualquier otro objeto que pueda reducir el flujo de aire.
- Mantenga el cabello, la ropa holgada, los dedos y todas las partes del cuerpo lejos de los orificios de ventilación y las piezas móviles.
- No aspire nada que esté encendido o emita humo, como cigarrillos, fósforos o cenizas calientes.
- Tenga especial cuidado al limpiar escaleras.
- No utilice la aspiradora para succionar líquidos inflamables o combustibles como gasolina, ni la utilice en áreas donde estas sustancias puedan estar presentes.
- No intente hacer el mantenimiento o la limpieza de la unidad mientras el cargador esté enchufado.
- No cargue la unidad a la intemperie.
- Recargue solo con el cargador especificado por el fabricante. Un cargador que sea adecuado para un tipo de electrodoméstico puede crear un riesgo de incendio cuando se usa con otro; pieza del cargador # C240-0900 de Simplicity. Use electrodomésticos solo con baterías específicamente designadas. El uso de cualquier otra batería puede crear un riesgo de lesiones e incendios. Paquete de batería parte # C240-0100 de Simplicity.
- No abra, triture, exponga a temperaturas por encima de los 100 °C (212 °F) o incinere la batería aunque esté extremadamente dañada. La batería puede explotar en contacto con el fuego.
- El electrodoméstico debe almacenarse solo en un intervalo de temperatura de 20 a 35 °C y debe usarse y cargarse solo en un intervalo de 0 a 40 °C.
- Las baterías deben desecharse de forma responsable. Comuníquese con un distribuidor autorizado para obtener información sobre cómo desechar la batería. Para encontrar un centro de recolección de baterías para reciclaje cercano a su ubicación, visite www.call2recycle.org.
- Retire la batería antes de hacer tareas de mantenimiento o limpieza en la aspiradora.
- Como resultado de un uso incorrecto, la batería puede expulsar líquido; evite el contacto. Si hay contacto con el líquido de forma accidental, enjuague con abundante agua. Si el líquido entra en contacto con los ojos, busque asistencia médica. El líquido que se expulsa de la batería puede causar irritación o quemaduras.

DESCRIPCIÓN DE LA ASPIRADORA



- 1 Interruptor de Encendido/ Apagado (On/Off)
- 2 Interruptor de Dos Velocidades
- 3 Perilla de Liberación del Filtro
- 4 Compartimiento de la Batería
- 5 Depósito de Polvo
- 6 Botón de Liberación del Depósito de Polvo
- 7 Botón de Liberación de la Varilla
- 8 Varilla de Metal
- 9 Botón de Liberación de la Boquilla para Pisos
- 10 Gancho de Almacenamiento de la Boquilla
- 11 Boquilla para Alfombra/para Pisos sin Alfombra
- 12 Boquilla Suave para Pisos sin Alfombra (S65P)
- 13 Montaje de Pared para Almacenamiento
- 14 Accesorio Combinado para Limpiar Rincones y Ranuras
- 15 Cepillo Accesorio Turbo para Pelo de Mascotas (S65D/S65P)
- 16 Accesorio para Tapizados (S65D/S65P)
- 17 Adaptador para Ángulos (S65P)
- 18 Estación de Almacenamiento/ Carga (S65S/S65D)
- 19 Estación de Almacenamiento/ Carga Dual (S65P)
- 20 Adaptador de Corriente
- 21 Batería (S65S/S65D x 1) (S65P x 2)

ENSAMBLAJE DE LA ASPIRADORA

Acople de la Varilla y de las Boquillas para Pisos

NOTA: No use la aspiradora hasta que esté completamente ensamblada.

La aspiradora, las boquillas para pisos, la varilla y los accesorios vienen embalados por separado.

1. Conecte el extremo macho de la varilla de metal a la aspiradora (fig. 1).
2. Conecte el extremo hembra de la varilla de metal a la boquilla para pisos o a los accesorios que necesite usar (fig. 2).
3. Coloque los demás accesorios en la estación de almacenamiento/carga (fig. 3).

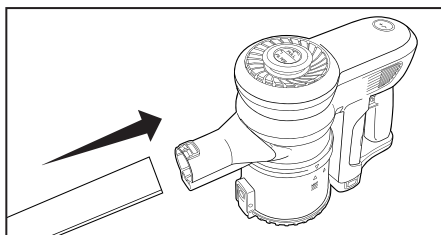


Fig. 1

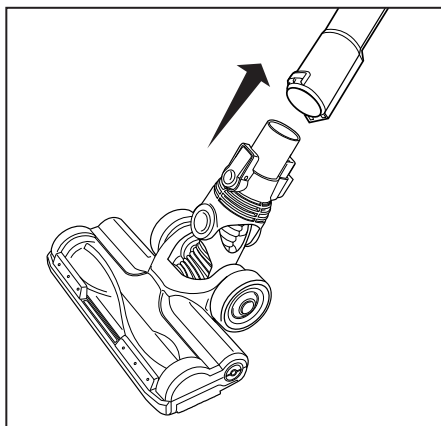


Fig. 2

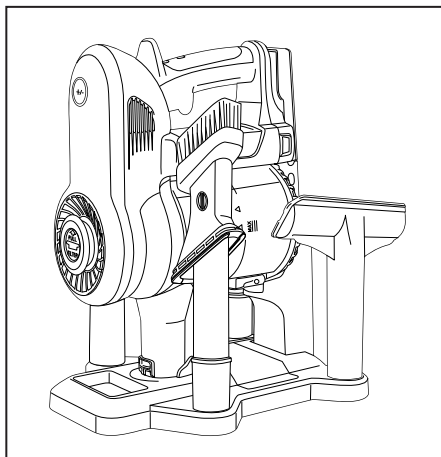


Fig. 3

ENSAMBLAJE DE LA ASPIRADORA (S65S Y S65D)

ADVERTENCIA: la batería S65 incluida solo se puede utilizar con el modelo S65, según lo previsto.

Instalación de la Batería

Coloque la batería en el compartimento de la batería y presiónela hasta que encaje en su lugar (fig. 1).

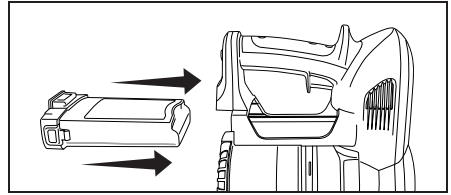


Fig. 1

Extracción de la Batería

Presione ambos botones de liberación de la batería y extraiga la batería de la aspiradora (fig. 1).

Carga de la Batería (S65S y S65D)

La batería está parcialmente cargada y funcionará por poco tiempo.

1. Coloque la aspiradora en la Estación de Almacenamiento/Carga, asegurando la conexión entre los puntos de la aspiradora con la Estación de Almacenamiento/Carga (fig. 2).
2. Enchufe el cargador de la batería en la Estación de Almacenamiento/Carga y a un tomacorriente (fig. 3). La luz indicadora de la batería estará roja mientras la batería se esté cargando. Cuando la luz indicadora esté azul, la batería estará completamente cargada (fig. 4). El tiempo de carga es de 4-5 horas aproximadamente.
3. Retire el cargador de la batería de la aspiradora y comience a aspirar.

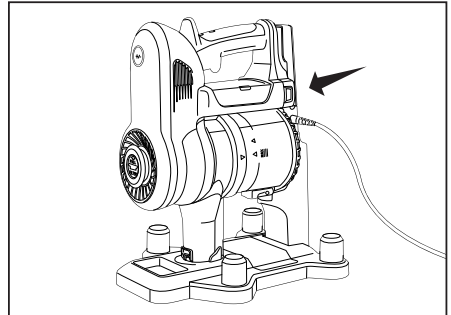


Fig. 2

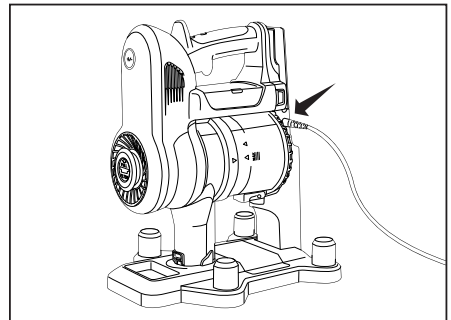


Fig. 3

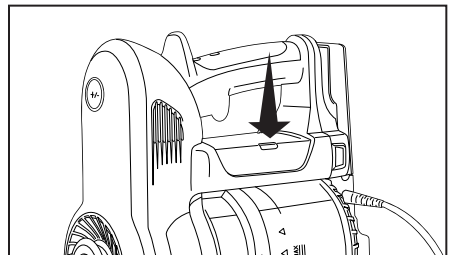


Fig. 4

Luz Indicadora de la Batería

Azul Fijo = Completamente Cargada

Rojo Fijo = Batería Baja

ENSAMBLAJE DE LA ASPIRADORA (S65P)

ADVERTENCIA: La batería S65 incluida solo se puede utilizar con el modelo S65 según lo previsto.

Instalación de la Batería

Coloque la batería en el compartimento de la batería y presiónela hasta que encaje en su lugar (fig. 1). Empuje la segunda batería en la base de carga en la base de la estación de carga de almacenamiento hasta que haga clic. (Figura 2a)

Extracción de la Batería

Presione los dos botones de liberación de la batería y extraiga la batería de la aspiradora (fig. 1) o de la base de carga (fig. 2a).

Carga de la Batería (S65P)

La batería está parcialmente cargada y funcionará por poco tiempo.

1. Coloque la aspiradora en la Estación de Almacenamiento/Carga, asegurando la conexión entre los puntos de la aspiradora con la Estación de Almacenamiento/Carga (fig. 2).
2. Enchufe el cargador de la batería en la Estación de Almacenamiento/Carga y a un tomacorriente (fig. 2c). La luz indicadora de la batería estará roja mientras la batería se esté cargando. Cuando la luz indicadora esté azul, la batería estará completamente cargada (fig. 3). El tiempo de carga es de 4-5 horas aproximadamente.
3. La segunda batería se cargará tanto si la aspiradora está en la Estación de Carga/Almacenamiento como si no. La luz indicadora de la base de carga está en la parte superior del brazo de la Estación de Carga de Almacenamiento (fig. 2d)

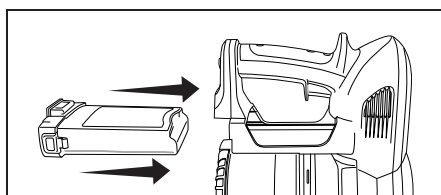


Fig. 1

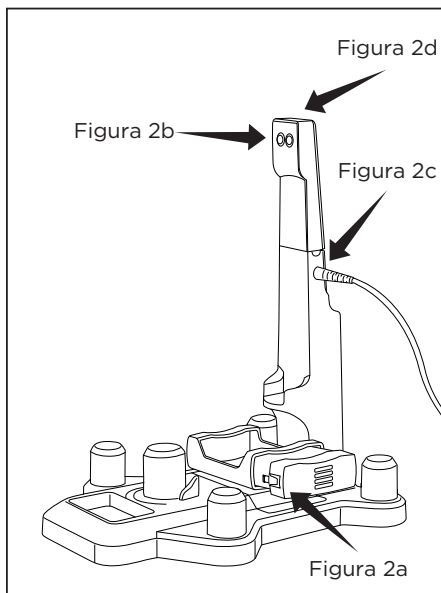


Fig. 2

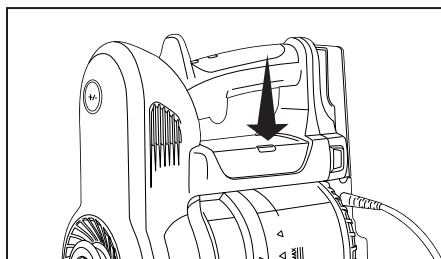


Fig. 3

Luz Indicadora de la Batería

Azul Fijo = Completamente Cargada
Rojo Fijo = Batería Baja

ENSAMBLAJE DE LA ASPIRADORA

Almacenamiento de la Aspiradora

Cuando no estén en uso, la aspiradora, la varilla y los accesorios de limpieza pueden guardarse de manera práctica en la Estación de Almacenamiento/Carga (fig. 1).

Ambas boquillas para pisos cuentan con un gancho de almacenamiento en la parte posterior para guardarlas de manera práctica en la Estación de Almacenamiento/Carga (fig. 2).

La aspiradora también se puede guardar en el montaje de pared para que se pueda acceder a ella con facilidad. Coloque el montaje en una pared para guardar la aspiradora de manera práctica (fig. 3a). Se incluyen una plantilla y tornillos para ayudarlo a fijar el montaje de pared a la pared.

La aspiradora se puede cargar en el soporte de pared enchufando el cargador en el mango de la aspiradora (fig. 3b).

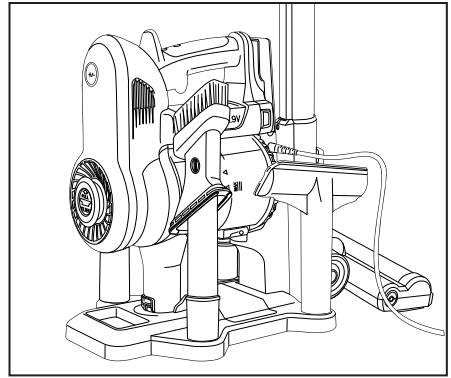


Fig. 1

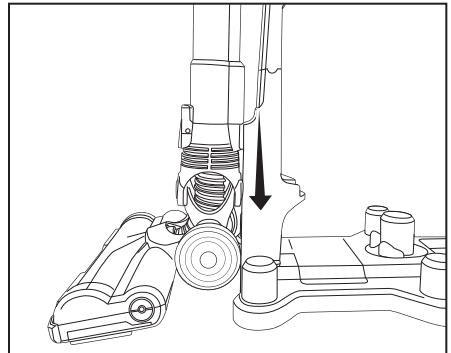


Fig. 2

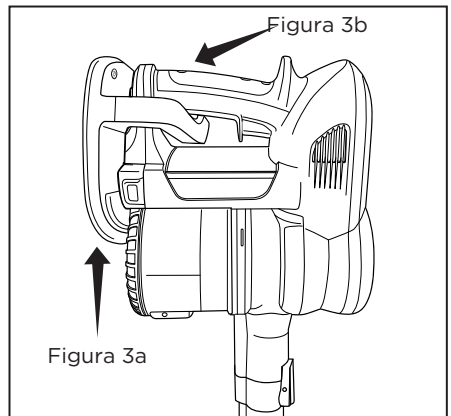


Fig. 3

FUNCIONAMIENTO DE LA ASPIRADORA

Interruptor de Encendido/ Apagado (On/Off)

Para encender o apagar la aspiradora, jale del gatillo interruptor dentro del mango (Fig. 1).

Interruptor de Dos Velocidades

Velocidad Baja

La aspiradora se enciende automáticamente a baja velocidad para limpiar pisos sin alfombras y tapetes.

Velocidad Alta

Presione el interruptor de dos velocidades en la parte superior de la aspiradora para limpiar tapetes y alfombras a alta velocidad (fig. 2). El interruptor se iluminará en azul.

NOTA: la aspiradora tiene una función de comienzo lento, por lo que demorará unos instantes en comenzar luego de que presione el interruptor. Esto es normal.

Usar la aspiradora a alta velocidad reduce el tiempo de funcionamiento de la batería. Los tiempos de funcionamiento pueden variar según la superficie del piso, el nivel de carga y la antigüedad de la batería.

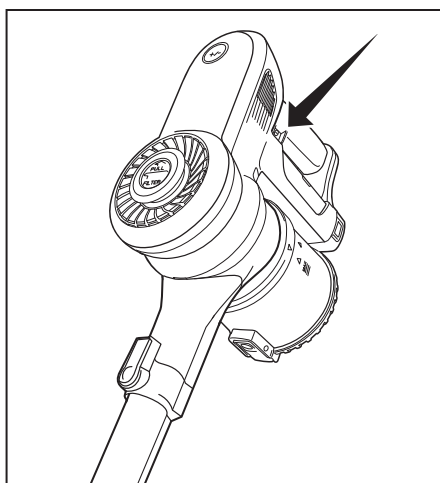


Fig. 1

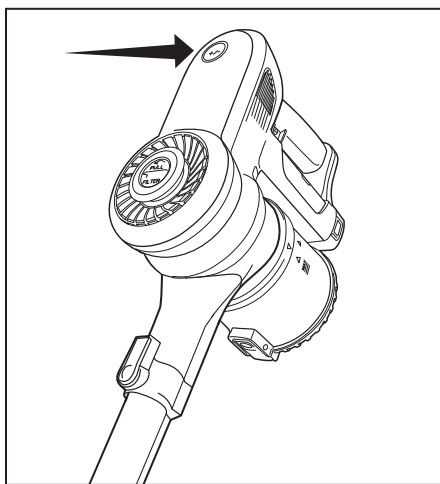


Fig. 2

LIMPIEZA DE LOS ACCESORIOS

Boquillas de Suelo

Las boquillas de suelo pueden colocarse en el extremo de la varilla para limpiar el piso o directamente en la aspiradora para limpiar escaleras y espacios pequeños.

Boquilla para Alfombra/para Pisos sin Alfombra

Ideal para limpiar alfombras, tapetes y pisos sin alfombra (fig. 1).

Boquilla Suave para Pisos sin Alfombra (S65P)

Ideal para todas las superficies de pisos duros, madera, vinilo y baldosas. Realiza un pulido leve mientras limpia (fig. 2).

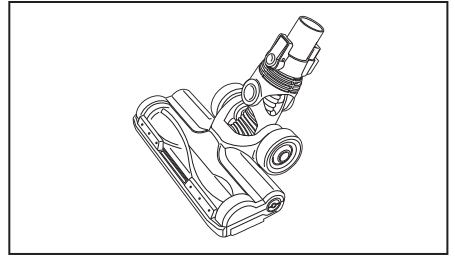


Fig. 1

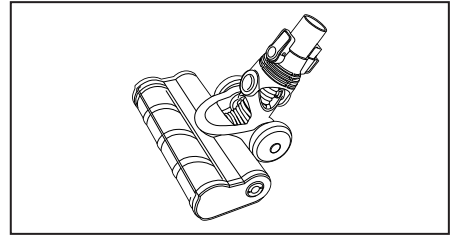


Fig. 2

LIMPIEZA DE LOS ACCESORIOS

La aspiradora incluye un cepillo turbo para pelo de mascota, un accesorio combinado para limpiar ranuras, un accesorio para tapizados y un adaptador para ángulos. Fije uno de los accesorios a la aspiradora o al extremo de la varilla (fig. 1).

Cepillo Accesorio Turbo para Pelo de Mascotas (S65D y S65P)

Ideal para quitar el pelo de las mascotas de tapizados y vehículos (fig. 2).

NOTA: no utilice el accesorio para pelo de mascotas sobre las mascotas.

Accesorio Combinado para Limpiar Rincones y Ranuras

Es ideal para limpiar en lugares estrechos, espacios entre cojines de asientos o rincones. Quite el accesorio cuando quiera limpiar rincones y ranuras.

Agregue el accesorio con los cepillos expuestos para limpiar el polvo.

Agregue el accesorio con el fieltro expuesto para limpiar tapizados (fig. 3).

Accesorio para Tapizados (S65D y S65P)

Ideal para superficies suaves y muebles (Fig. 4).

Adaptador para Ángulos (S65P)

Fíjelo al extremo de la varilla. Luego fije uno de los accesorios para limpiar áreas de difícil acceso (fig. 5 y 6)

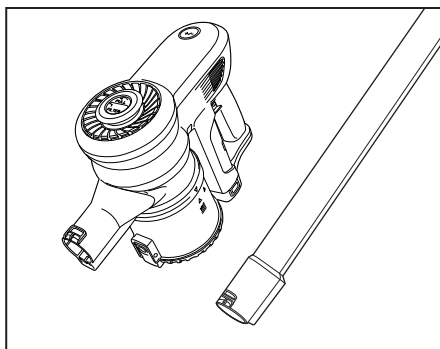


Fig. 1

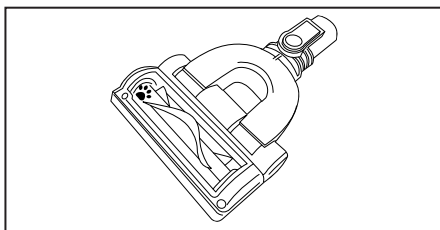


Fig. 2

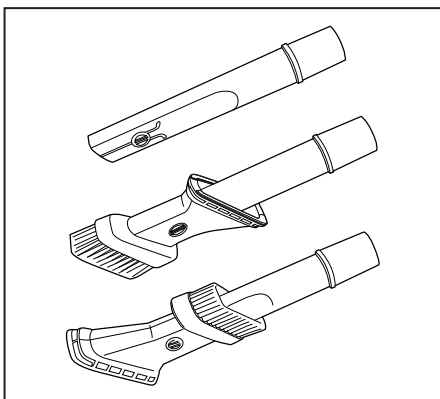


Fig. 3

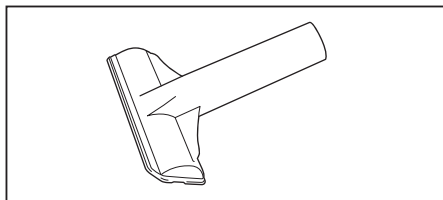


Fig. 4

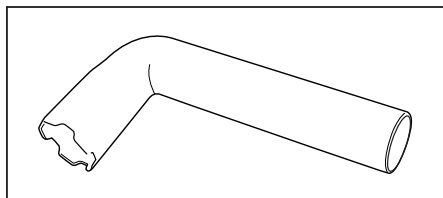


Fig. 5

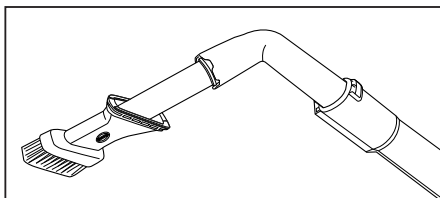


Fig. 6

NOTA: siempre apague la aspiradora y retire la batería antes de realizar tareas de mantenimiento o de limpieza en la aspiradora.

Vaciado del Depósito de Polvo

1. Presione el botón de liberación de la varilla y extraiga la varilla de la aspiradora.
2. Sostenga el depósito de polvo sobre un cesto de basura.
3. Empuje el botón de liberación del depósito de polvo para liberar la parte inferior del depósito de polvo (fig. 1). La base se abrirá hacia abajo y los residuos caerán en el cesto de basura.
4. Sacuda el depósito de polvo para liberar los residuos que puedan quedar dentro del depósito.
5. Una vez que el depósito de polvo esté vacío, presione la base con firmeza en el depósito hasta que encaje y quede fija (fig. 2).

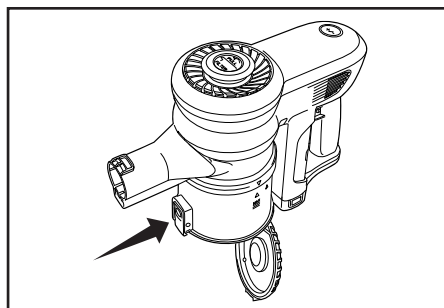


Fig. 1

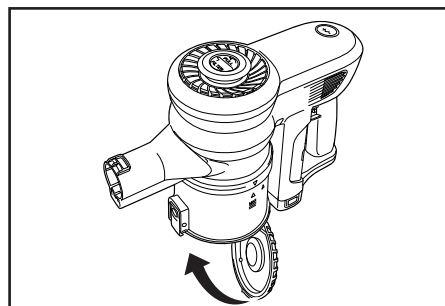


Fig. 2

Extracción y Reemplazo del Depósito de Polvo (para limpieza)

1. Gire el depósito de polvo hacia la izquierda para alinear las flechas y extraerlo de la aspiradora (fig. 3).
2. Gire el cilindro interno hacia la derecha para extraerlo de la aspiradora (fig. 4).
3. Enjuague el depósito de polvo y el cilindro interno con agua tibia y deje que se sequen antes de volver a colocarlos en la aspiradora.
4. Vuelva a colocar el cilindro interno y el depósito de polvo en la aspiradora.

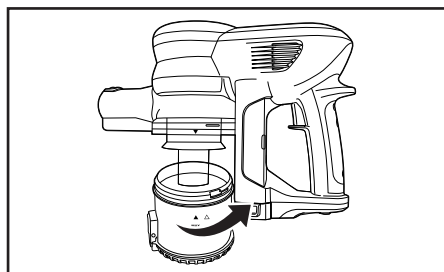


Fig. 3

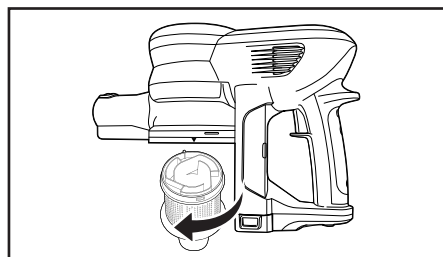


Fig. 4

MANTENIMIENTO Y CUIDADO

NOTA: siempre apague la aspiradora y retire la batería antes de realizar tareas de mantenimiento o de limpieza en la aspiradora.

Reemplazo del Filtro

1. Levante la perilla de liberación del filtro y extraiga el soporte del filtro de la aspiradora (fig. 1).
2. Gire el filtro hacia la izquierda para extraerlo del soporte (fig. 2).
3. Reemplácelo con un filtro nuevo girándolo hacia la derecha hasta que encaje en el soporte.
4. Vuelva a colocar el soporte del filtro en la aspiradora (fig. 3).

NOTA: los filtros no se pueden lavar y volver a utilizar.

Cuándo Cambiar los Filtros

Si alguien en su hogar sufre de alergias, se recomienda que cambie el filtro cada seis meses. De lo contrario, el filtro debe reemplazarse cada año.

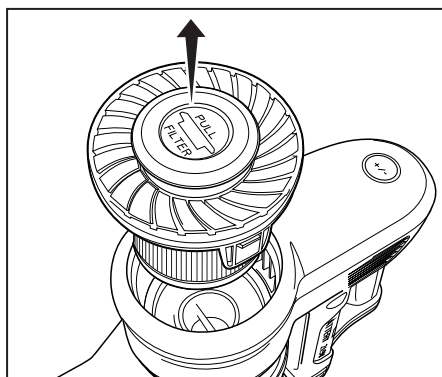


Fig. 1

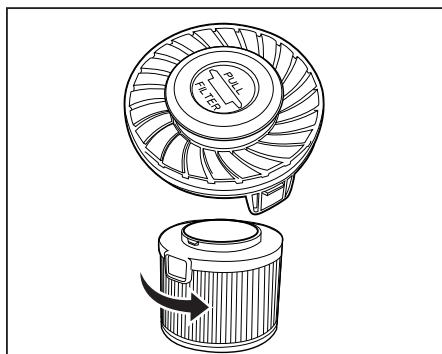


Fig. 2

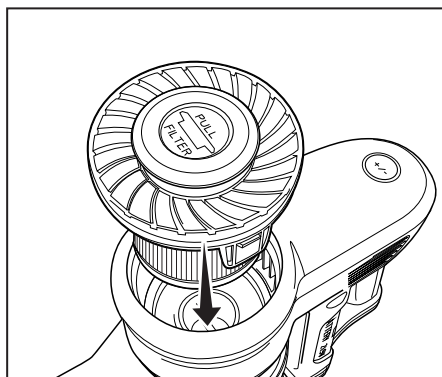


Fig. 3

Extracción del Cepillo Giratorio

NOTA: siempre apague la aspiradora y retire la batería antes de realizar tareas de mantenimiento o de limpieza en la aspiradora.

1. Extraiga la boquilla para pisos de la varilla. Haga girar la boquilla para pisos (fig. 1).
2. Use una moneda o un destornillador para hacer girar el tornillo hacia la izquierda (fig. 2). Luego, levante la tapa del cepillo giratorio.
3. Extraiga el cepillo giratorio para limpiarlo.
4. Vuelva a colocar el cepillo giratorio y la tapa. Ajuste el tornillo girándolo una vez hacia la derecha.
5. Vuelva a fijar la boquilla para pisos a la varilla y siga aspirando.

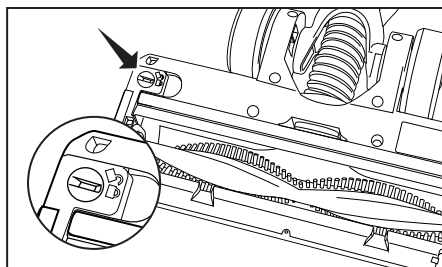


Fig. 1

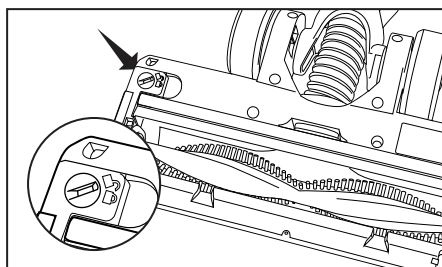


Fig. 2

Limpeza del Cepillo Giratorio

NOTA: siempre apague la aspiradora y retire la batería antes de realizar tareas de mantenimiento o de limpieza en la aspiradora.

1. Para realizar una limpieza eficaz, el cepillo giratorio no debe tener acumulación de fibras de alfombra, pelusas o cabello. Después de cada 7 o 10 usos, extraiga la batería, dé vuelta la aspiradora y controle que no haya fibras o cabello acumulados en el cepillo giratorio.
2. Use tijeras para quitar la acumulación de estos materiales enredados en el cepillo giratorio (fig. 3).

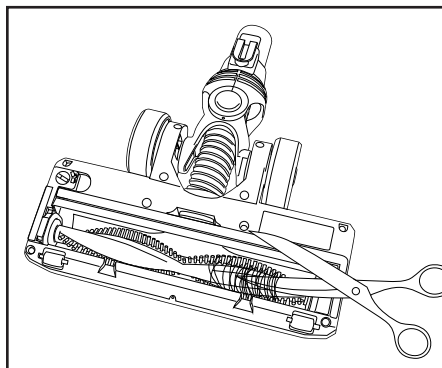


Fig. 3

GUÍA DE RESOLUCIÓN DE PROBLEMAS

Identificación de Problemas

¡ADVERTENCIA! Para reducir el riesgo de una descarga eléctrica o de una lesión provocada por las partes móviles, apague la aspiradora y extraiga la batería antes de realizar el mantenimiento o la limpieza de la aspiradora.

¡PRECAUCIÓN! Para reducir el riesgo de una descarga eléctrica, no manipule el enchufe ni el electrodoméstico con las manos mojadas.

PROBLEMA	PUNTO DE REVISIÓN	POSIBLE SOLUCIÓN
La aspiradora no funciona	Carga de la batería	Cargue la batería
	Instalación de la batería	Instale la batería correctamente
	Conexión de la aspiradora, la varilla y la boquilla para pisos	Fije la varilla y la boquilla para pisos de manera correcta a la aspiradora
La aspiradora no recoge la suciedad o el poder de succión es débil	Depósito de polvo lleno u obstruido	Vacíe el depósito de polvo
	Cepillo giratorio desgastado	Reemplace el cepillo giratorio
	Boquilla para pisos obstruida	Revise si hay obstrucciones
	Varilla obstruida	Revise si hay obstrucciones
	La varilla no está completamente insertada en la aspiradora	Inserte la varilla por completo en la aspiradora
Filtro sucio	Reemplace el filtro	
El cepillo giratorio no gira	Cepillo giratorio	Limpie el cepillo giratorio
La suciedad se escapa de la aspiradora	Depósito de polvo lleno u obstruido	Vacíe el depósito de polvo
	El filtro no está instalado correctamente	Instale el filtro correctamente
	El filtro está perforado	Reemplace el filtro

Cómo Ponerse en Contacto con su Distribuidor Autorizado

Cualquier otro tipo de mantenimiento deberá ser realizado por un Distribuidor Autorizado. Para localizar a su distribuidor autorizado más cercano, visite SimplicityVac.com o llame al 888-974-6759.

Piezas de Repuesto Importantes

- Filtro de Media Filtrante HEPA Original: SF65

Para un Mejor Funcionamiento

- Mantenga la máquina y todos los accesorios limpios y en buenas condiciones de funcionamiento.
- Vacíe el depósito de polvo con frecuencia y limpie o reemplace el filtro regularmente.
- Siempre use filtros y piezas genuinos, ya que el uso de otros productos puede resultar en un rendimiento deficiente de la limpieza o el filtrado. Los productos de filtrado de las aspiradoras Simplicity están diseñados para brindar el mejor funcionamiento.
- Guarde la máquina con cuidado en un lugar seco.
- Para lograr una limpieza y una seguridad óptimas, siga las instrucciones del manual del usuario.

Qué Cubre:

Esta garantía cubre cualquier defecto en los materiales y la mano de obra en la aspiradora, y solamente le corresponde al comprador original.

Cuánto Dura la Cobertura:

Visite Simplicityvac.com para obtener información sobre la garantía.

Qué No Cubre:

- Daños a la aspiradora que pueden ser causa de negligencia, maltrato, alteraciones, accidentes, uso incorrecto o mantenimiento inadecuado.
- Artículos de repuesto habituales: filtros desechables.

El Servicio que Prestamos:

Esta garantía proporciona, sin costo alguno, toda la mano de obra y los repuestos para mantener esta aspiradora en condiciones de funcionamiento adecuadas durante el período de la garantía.

Cómo Obtener Servicio Técnico:

Solo puede obtener el servicio de la garantía llevando la aspiradora a un distribuidor autorizado. Para que se preste el servicio, deberá presentar el comprobante de compra y el número de serie del producto. Para encontrar el centro de servicio más cercano a su ubicación, llame al 888-974-6759 o visite SimplicityVac.com.

ESTA GARANTÍA ES EXCLUSIVA Y REEMPLAZA A CUALQUIER OTRA, YA SEA ESCRITA, ORAL, EXPRESA O IMPLÍCITA (INCLUIDA CUALQUIER GARANTÍA DE COMERCIABILIDAD O ADECUACIÓN PARA UN PROPÓSITO PARTICULAR). ESTA GARANTÍA IMPLICA QUE SE RENUNCIA A CUALQUIER RESPONSABILIDAD POR DAÑOS INCIDENTALES O EMERGENTES.

Cómo se Aplica la Ley Estatal:

Esta garantía le otorga derechos legales específicos. Además, usted también podría tener otros derechos que varían de un estado a otro.

Información de la Garantía del Propietario

(conserve esto para su registro)

Nombre de la tienda _____

Domicilio de la tienda _____ Ciudad _____ Estado ____ Código Postal _____

Teléfono _____ Fecha de compra _____

Número de serie _____ Número de modelo _____

Registre su garantía en línea en **SimplicityVac.com**.



Simplicityvac.com/register-warranty

¿Cuál es la *mejor* manera de no quedarse afuera?

Es simple: registre su aspiradora Simplicity hoy y active su garantía.

¿Qué le parece su aspiradora?

Una vez que haya tenido tiempo para probar su nueva aspiradora Simplicity, queremos saber lo que piensa: deje una reseña del producto. Solo toma unos minutos y nos ayuda a mejorar nuestros productos... y su casa simplemente más limpia.



Simplicity[®]
VACUUMS

Simplicity[®]

VACUUMS

Manuel du propriétaire

S65S

S65D

S65P



TABLE DES MATIÈRES

Pour commencer

Instructions de sécurité importantes	2
Description de l'aspirateur	3

Montage de l'aspirateur

Attacher le tube-rallonge et les suceurs pour sol	4
Installer/Enlever/Charger la batterie (S65S et S65D)	5
Installer/Enlever/charger la batterie (S65P)	6
Ranger l'aspirateur	7

Faire fonctionner l'aspirateur

Interrupteur marche/arrêt	8
Interrupteur à 2 vitesses	8

Nettoyage des accessoires

Suceur pour moquette/sol	9
Suceur pour sol doux	9
Brosse turbo pour poils d'animaux	10
Outil combo pour crevasses/poussière.....	10
Outil pour tapisserie	10
Adaptateur d'angle	10

Entretien et maintenance

Vider le réservoir à poussière	11
Enlever et remplacer le réservoir à poussière (pour le nettoyer)	11
Remplacer le filtre	12
Enlever le rouleau-brosse	13
Nettoyer le rouleau-brosse	13

Guide de résolution de problèmes

Dépannage	14
Comment contacter votre distributeur agréé	14
Pièces de rechange principales	14
Pour une meilleure performance	14
Garantie	15

INSTRUCTIONS DE SÉCURITÉ IMPORTANTES

Lors de l'utilisation d'un appareil électrique, il est important de prendre des mesures de précaution de base, dont les suivantes :

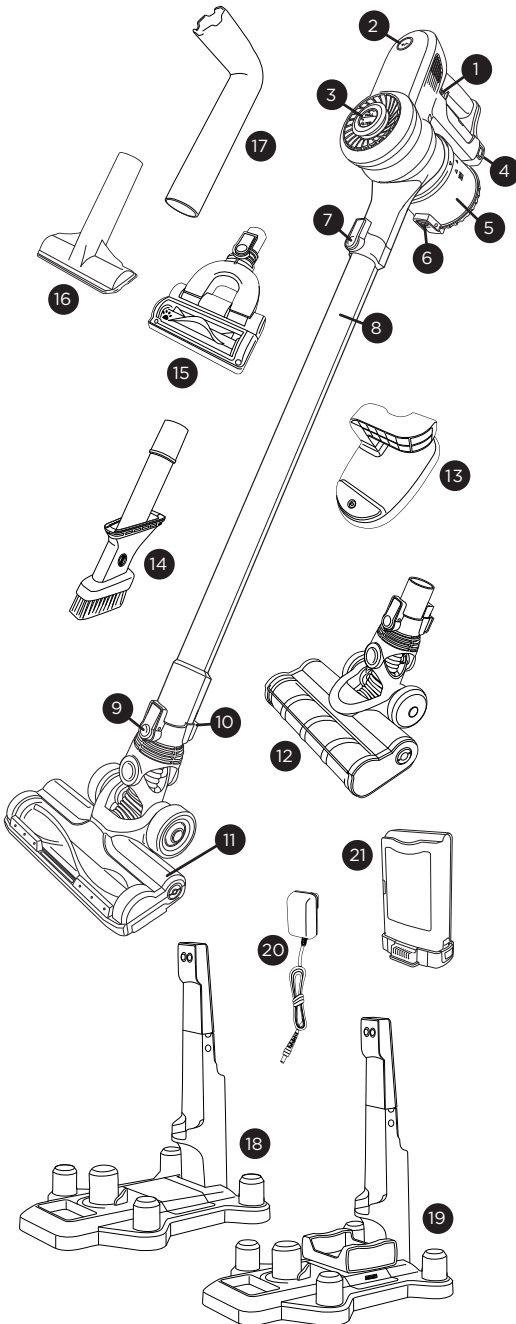
LISEZ TOUTES LES INSTRUCTIONS AVANT DE COMMENCER À UTILISER CET APPAREIL. POUR USAGE DOMESTIQUE SEULEMENT.

IMPORTANT : Le fabricant ne pourra être tenu responsable en cas de dommage causé par une utilisation de cet appareil non conforme aux instructions, ou en cas de dommage dû à une utilisation autre que celle pour laquelle il a été conçu.

AVERTISSEMENT : Afin de réduire le risque d'incendie, de décharge électrique, de dégât ou de blessure :

- Assemblez complètement l'aspirateur avant de l'utiliser.
- Utilisez et stockez l'appareil dans un endroit sec.
- N'utilisez pas en ou sur des surfaces mouillées.
- Ne laissez pas vos enfants jouer avec l'appareil. Une attention particulière est nécessaire lorsqu'il sera utilisé par des enfants et lorsqu'il sera utilisé près d'enfants ou près d'animaux. N'utilisez pas sur les animaux de compagnie.
- Utilisez cet appareil uniquement selon les instructions décrites dans ce manuel.
- N'utilisez pas ce chargeur si le câble ou la fiche est endommagé(e). Si l'appareil ou le chargeur ne fonctionnent pas comme prévu, s'ils ont subi une chute, ont été endommagés, laissés à l'intempérie, ou s'ils sont tombés à l'eau, renvoyez-les à un revendeur agréé pour les faire réparer.
- Ne tirez ni ne soulevez le chargeur par le câble, n'utilisez pas le câble comme poignée, ne fermez pas une porte sur le câble ni ne serrez le câble contre des bords tranchants ou des coins. Ne faites pas rouler l'appareil sur le câble. Maintenez le câble à distance des surfaces chaudes.
- Ne débranchez pas le chargeur en tirant sur le câble. Pour débrancher le chargeur, attrapez la fiche, pas le câble.
- Ne manipulez pas le chargeur, notamment la prise du chargeur, et les bornes du chargeur avec les mains mouillées.
- N'insérez pas d'objets dans les ouvertures. N'utilisez pas l'appareil si une ouverture est obstruée; évitez l'accumulation de poussières, de peluches, de cheveux ou de tout autre élément pouvant réduire le flux d'air.
- Tenez les cheveux, les habits amples, les doigts et toute autre partie du corps à distance des ouvertures et des pièces mobiles.
- N'aspirez pas d'éléments incandescents ou émettant de la fumée, tel que des cigarettes, des allumettes ou des cendres chaudes.
- Prenez des précautions supplémentaires lors de l'aspiration des escaliers.
- N'utilisez pas l'appareil ni pour aspirer des liquides inflammables ou combustibles tels que de l'essence, ni dans des endroits pouvant en contenir.
- N'essayez pas de nettoyer ou de réparer l'appareil lorsque le chargeur est branché.
- Ne chargez pas l'appareil à l'extérieur.
- Rechargez uniquement avec le chargeur spécifié par le fabricant. Un chargeur adapté à un type d'appareil peut créer un risque d'incendie s'il est utilisé avec un autre appareil. Chargeur pièce n° C240-0900 de Simplicity. N'utilisez les appareils qu'avec des blocs-batterie spécialement conçus à cet effet. L'utilisation de tout autre bloc-batterie peut créer un risque de blessure et d'incendie. Bloc de batterie pièce n° C240-0100 de Simplicity.
- Ne pas ouvrir, écraser, exposer à une température supérieure à 100 °C (212 °F) ou incinérer la batterie, même si elle est gravement endommagée. La batterie peut exploser si elle prend feu.
- L'appareil ne doit être stocké que dans une plage de température comprise entre -20 et 35 °C, et utilisé et chargé que dans une plage comprise entre 0 et 40 °C.
- Les batteries doivent être éliminées de manière responsable. Contactez un revendeur agréé pour obtenir des informations sur la mise au rebut de la batterie. Pour trouver des sites de collecte pour le recyclage de la batterie près de chez vous, rendez-vous sur www.call2recycle.org.
- Enlevez la batterie avant d'effectuer un entretien sur l'aspirateur.
- Dans des conditions abusives, du liquide peut être éjecté de la batterie; évitez tout contact. En cas de contact accidentel, rincez abondamment à l'eau. Si du liquide entre en contact avec les yeux, consultez un médecin. Le liquide éjecté de la batterie peut provoquer une irritation ou des brûlures.

DESCRIPTION DE L'ASPIRATEUR



- 1 Interrupteur marche/arrêt
- 2 Interrupteur à 2 vitesses
- 3 Bouton de détachement du filtre
- 4 Compartiment de la batterie
- 5 Réservoir à poussière
- 6 Bouton de dégagement du réservoir à poussière
- 7 Bouton de dégagement du tube-rallonge
- 8 Tube-rallonge
- 9 Bouton de dégagement du suceur pour sol
- 10 Crochet de rangement du suceur
- 11 Suceur pour moquette/sol
- 12 Suceur pour sol doux (S65P)
- 13 Support mural de rangement
- 14 Outil combo pour crevasses/poussière
- 15 Brosse turbo pour poils d'animaux de compagnie (S65D/S65P)
- 16 Outil pour tapisserie (S65D/S65P)
- 17 Adaptateur d'angle (S65P)
- 18 Station de rangement/recharge (S65S/S65D)
- 19 Station de rangement/recharge (S65P)
- 20 Adaptateur d'alimentation
- 21 Batterie (S65S/S65D x 1) (S65P x 2)

MONTAGE DE L'ASPIRATEUR

Attacher le tube-rallonge et les suceurs pour sol

REMARQUE : N'utilisez pas l'aspirateur avant de l'avoir entièrement monté.

L'aspirateur, les suceurs pour sol, le tube-rallonge et les accessoires sont emballés séparément.

1. Attachez l'extrémité mâle du tube-rallonge métallique à l'aspirateur (Fig. 1).
2. Attachez l'extrémité femelle du tube-rallonge métallique au suceur ou aux outils appropriés (Fig. 2).
3. Placez les autres outils sur la station de rangement/recharge (Fig. 3).

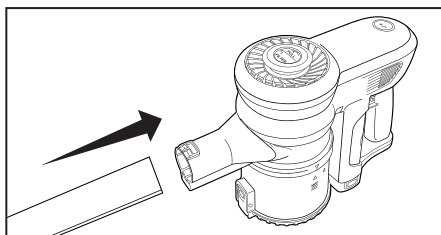


Fig. 1

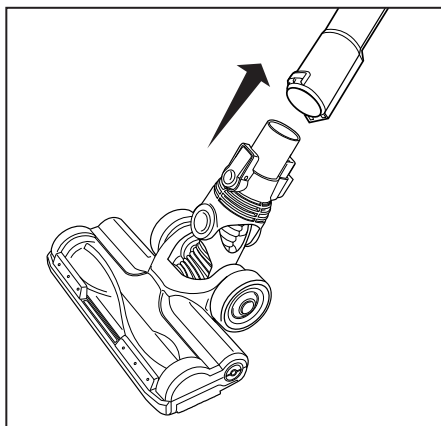


Fig. 2

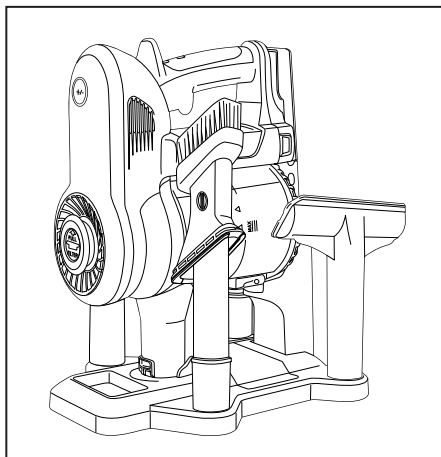


Fig. 3

MONTAGE DE L'ASPIRATEUR (S65S ET S65D)

AVERTISSEMENT : La batterie S65 fournie peut être utilisée avec le modèle S65 de la manière prévue uniquement.

Installer la batterie

Poussez la batterie dans son compartiment jusqu'à ce qu'elle s'enclenche (Fig. 1).

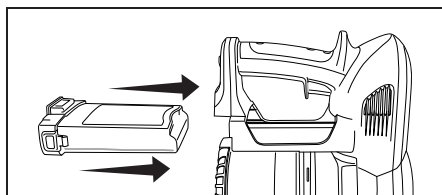


Fig. 1

Enlever la batterie

Appuyez sur les deux boutons de dégagement de la batterie et retirez la batterie de l'aspirateur (Fig. 1).

Charger la batterie (S65S et S65D)

La batterie est partiellement chargée et fonctionnera pendant une courte période.

1. Placez l'aspirateur sur la station de rangement/recharge, en veillant à ce que les points de l'aspirateur soient connectés à la station de rangement/recharge (Fig. 2).
2. Branchez le chargeur de batterie sur la station de rangement/recharge et sur une prise secteur (Fig. 3). Le voyant de la batterie sera rouge pendant que la batterie charge. Lorsque le voyant est bleu, la batterie est complètement chargée (Fig. 4). Le temps de charge est d'environ 4-5 heures.
3. Retirez le chargeur de batterie de l'aspirateur et commencez à aspirer.

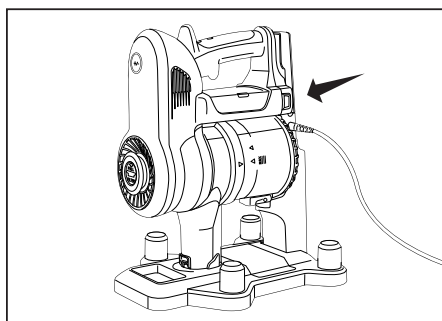


Fig. 2

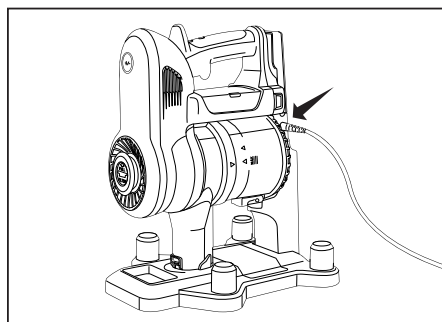


Fig. 3

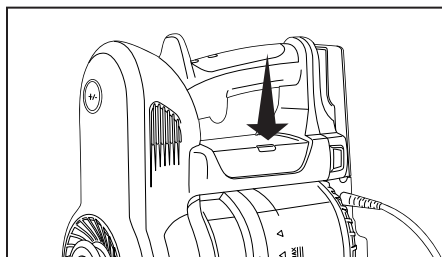


Fig. 4

Voyant lumineux de niveau de la batterie

Bleu fixe = entièrement chargée

Rouge fixe = batterie faible

MONTAGE DE L'ASPIRATEUR (S65P)

AVERTISSEMENT : La batterie S65 fournie peut être utilisée avec le modèle S65 de la manière prévue uniquement.

Installer la batterie

Poussez la batterie dans son compartiment jusqu'à ce qu'elle s'enclenche (Fig. 1). Poussez la deuxième batterie dans la station de recharge sur la base de la Station de rangement/recharge jusqu'à ce qu'elle s'enclenche. (Fig. 2a)

Enlever la batterie

Appuyez sur les deux boutons de dégagement de la batterie et retirez la batterie de l'aspirateur (Fig. 1) ou de la station de recharge (Fig. 2a).

Charger la batterie (S65P)

La batterie est partiellement chargée et fonctionnera pendant une courte période.

1. Placez l'aspirateur sur la station de rangement/recharge, en veillant à ce que les points de l'aspirateur soient connectés à la station de rangement/recharge (Fig. 2b).
2. Branchez le chargeur de batterie sur la station de rangement/recharge et sur une prise secteur (Fig. 2c). Le voyant de la batterie sera rouge pendant que la batterie charge. Lorsque le voyant est bleu, la batterie est complètement chargée (Fig. 3). Le temps de charge est d'environ 4-5 heures.
3. La deuxième batterie se chargera, que l'aspirateur soit ou non sur la Station de rangement/recharge. Le voyant lumineux de la station de recharge est situé sur le dessus du bras de la Station de rangement/recharge (Fig. 2d)

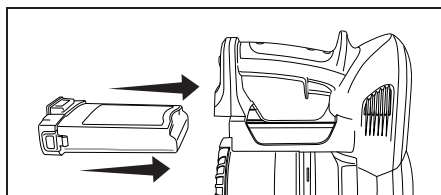


Fig. 1

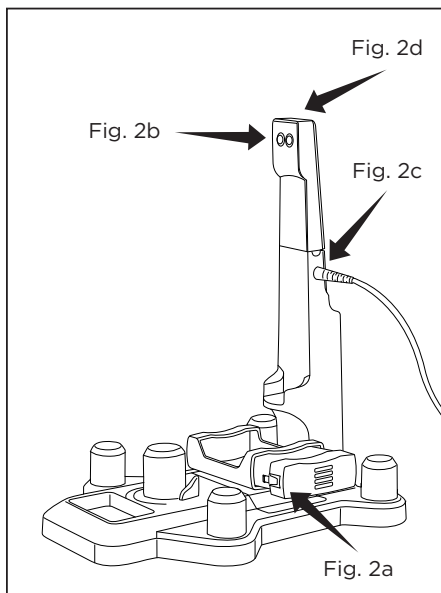


Fig. 2

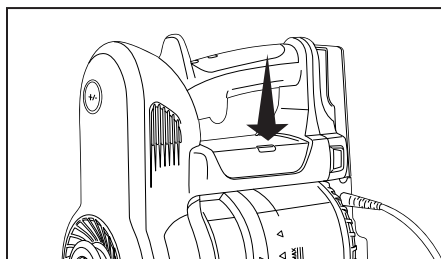


Fig. 3

Voyant lumineux de niveau de la batterie

Bleu fixe = entièrement chargée

Rouge fixe = batterie faible

MONTAGE DE L'ASPIRATEUR

Ranger l'aspirateur

L'aspirateur peut être rangé de manière pratique sur la station de rangement/recharge, de même que le tube-rallonge et les outils de nettoyage lorsqu'ils ne sont pas utilisés (Fig. 1).

Chacun des deux suceurs pour sol inclut un crochet de rangement à l'arrière pour un rangement pratique sur la station de rangement/charge (Fig. 2).

L'aspirateur peut également être stocké sur le support mural pour un accès facile. Fixez le support à un mur pour un rangement pratique (Fig. 3a). Un gabarit et des vis sont fournis pour vous aider à fixer le support mural.

L'aspirateur peut être chargé sur le support mural en branchant le chargeur dans la poignée de l'aspirateur (Fig. 3b).

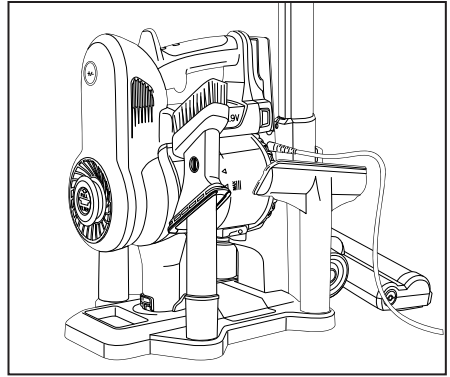


Fig. 1

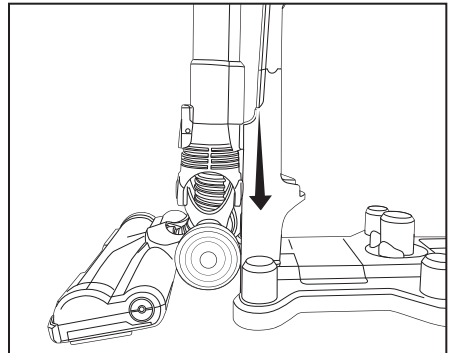


Fig. 2

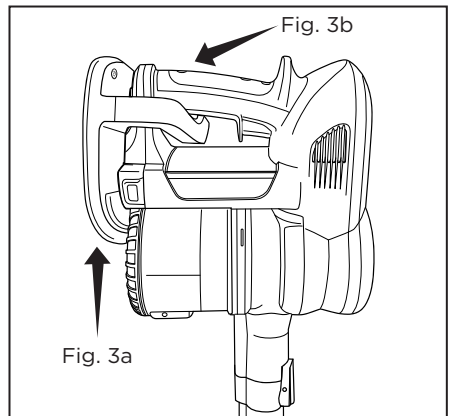


Fig. 3

FAIRE FONCTIONNER L'ASPIRATEUR

Interrupteur marche/arrêt

Pour allumer ou éteindre l'aspirateur, appuyez sur la gâchette située à l'intérieur de la poignée (Fig. 1).

Interrupteur à 2 vitesses

Basse vitesse

L'aspirateur démarre automatiquement à petite vitesse pour nettoyer les sols et les tapis.

Haute vitesse

Appuyez sur l'interrupteur à 2 vitesses situé en haut de l'aspirateur pour obtenir un nettoyage à haute vitesse des moquettes et des tapis (Fig. 2). L'interrupteur s'allumera en bleu.

REMARQUE : L'aspirateur est doté d'une fonction de démarrage lent et il lui faudra un moment pour démarrer après avoir appuyé sur la gâchette. Cela est normal.

L'utilisation de l'aspirateur à haute vitesse réduit la durée de fonctionnement de la batterie. Les durées d'utilisation peuvent varier en fonction de la surface du sol, du niveau de charge et de l'âge de la batterie.

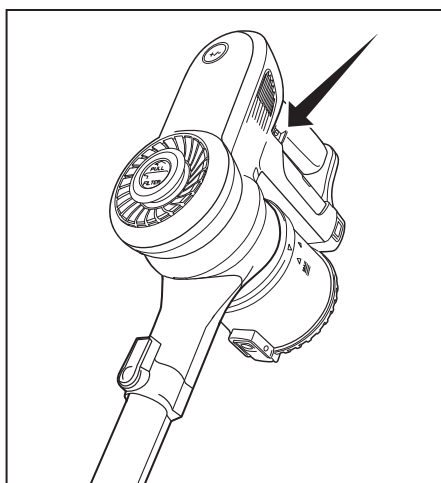


Fig. 1

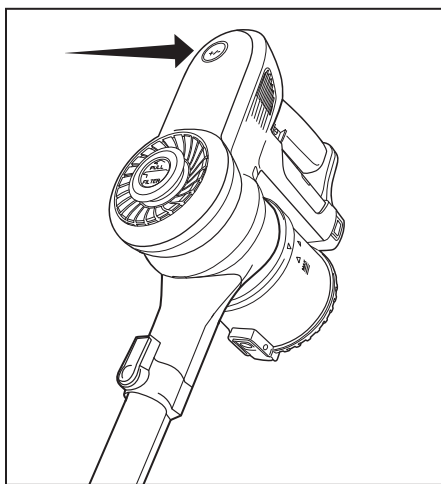


Fig. 2

NETTOYAGE DES ACCESSOIRES

Suceurs pour sol

Les suceurs pour sol peuvent être fixés à l'extrémité du tube-rallonge pour le nettoyage du sol ou directement à l'aspirateur pour nettoyer les escaliers ou les petits espaces.

Suceur pour moquette/sol

Idéal pour nettoyer les tapis, les moquettes et les sols (Fig. 1).

Suceur pour sol doux (S65P)

Idéal pour tous les sols durs, parquet, vinyle et carrelage. Polit doucement pendant le nettoyage (Fig. 2).

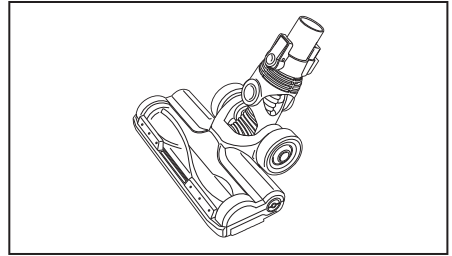


Fig. 1

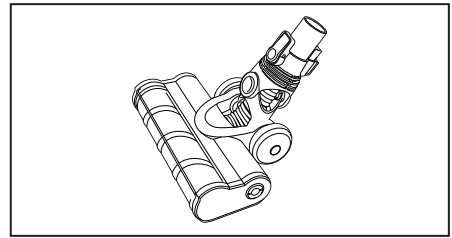


Fig. 2

NETTOYAGE DES ACCESSOIRES

L'aspirateur est équipé d'une brosse turbo pour poils d'animaux, d'un outil pour combo crevasses/poussière, d'un outil pour tapisserie et d'un adaptateur d'angle. Fixez l'un des outils sur l'aspirateur ou sur l'extrémité du tube-rallonge (Fig. 1).

Brosse turbo pour poils d'animaux de compagnie (S65D et S65P)

Idéale pour enlever les poils d'animaux des tapisseries et des véhicules (Fig. 2).

REMARQUE : N'utilisez pas cet outil sur des animaux de compagnie.

Outil combo pour crevasses/poussière

Idéal pour les endroits exigus, entre les coussins ou dans les coins des fauteuils. Retirez la pièce pour l'utiliser comme un outil pour crevasse.

Ajoutez la pièce, les brosses face à l'extérieur, pour l'utiliser comme brosse dépoussiérante. Ajoutez la pièce, le feutre face à l'extérieur, pour l'utiliser comme brosse à tapisserie (Fig. 3).

Outil pour tapisserie (S65D et S65P)

Idéal pour les surfaces molles et les meubles (Fig. 4).

Adaptateur d'angle (S65P)

Fixez au bout du tube-rallonge. Fixez ensuite tout outil de nettoyage des zones difficiles à atteindre (Fig. 5 et 6)

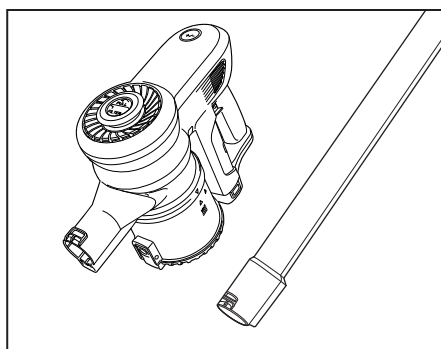


Fig. 1

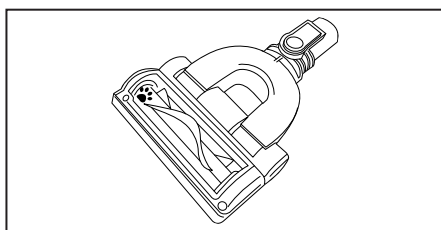


Fig. 2

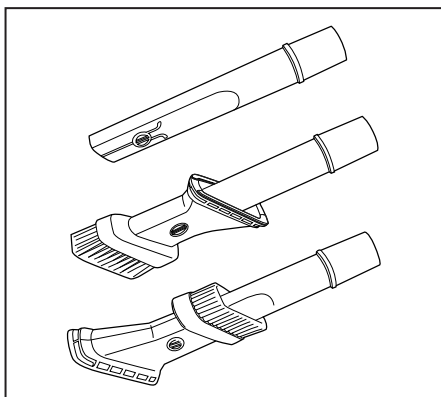


Fig. 3

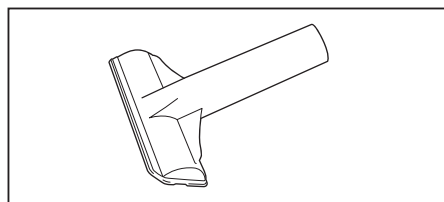


Fig. 4

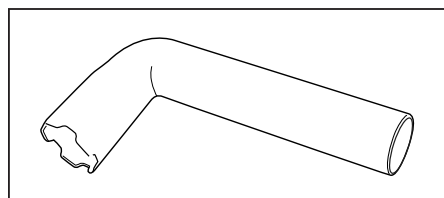


Fig. 5

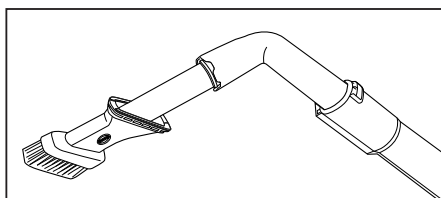


Fig. 6

REMARQUE : Éteignez toujours l'aspirateur et retirez la batterie avant d'effectuer un entretien sur l'aspirateur.

Vider le réservoir à poussière

1. Appuyez sur le bouton de dégagement du tube-rallonge et retirez le tube-rallonge de l'aspirateur.
2. Placez le réservoir à poussière au-dessus d'une poubelle.
3. Poussez le bouton de dégagement du réservoir à poussière pour retirer la partie inférieure du réservoir à poussière (Fig. 1). La base tombera et les débris tomberont dans la poubelle.
4. Secouez le réservoir à poussière pour libérer tous les débris pouvant se trouver à l'intérieur du réservoir à poussière.
5. Lorsque le réservoir à poussière est vide de débris, poussez fermement la base sur le réservoir à poussière jusqu'à ce que vous entendiez un clic et qu'il soit complètement verrouillé (Fig. 2).

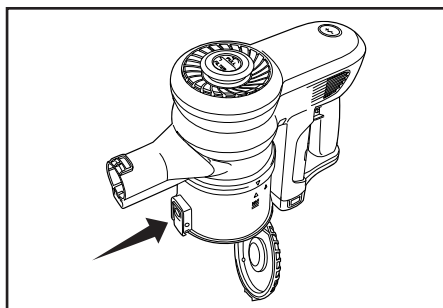


Fig. 1

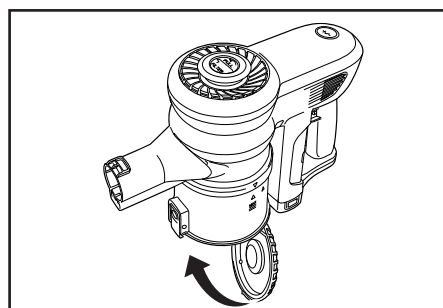


Fig. 2

Enlever et replacer le réservoir à poussière (pour le nettoyer)

1. Faites pivoter le réservoir à poussière dans le sens contraire des aiguilles d'une montre pour aligner les flèches et retirez-le de l'aspirateur (Fig. 3).
2. Faites pivoter le cylindre interne dans le sens des aiguilles d'une montre pour le retirer de l'aspirateur (Fig. 4).
3. Rincez le réservoir à poussière et le cylindre interne à l'eau tiède et laissez-les sécher complètement avant de les fixer à nouveau à l'aspirateur.
4. Remplacez le cylindre interne et le réservoir à poussière sur l'aspirateur.

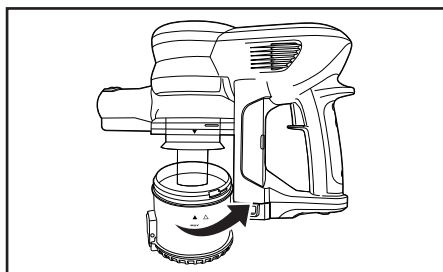


Fig. 3

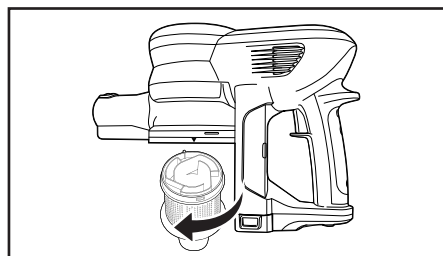


Fig. 4

ENTRETIEN ET MAINTENANCE

REMARQUE : Éteignez toujours l'aspirateur et retirez la batterie avant d'effectuer un entretien sur l'aspirateur.

Remplacer le filtre

1. Soulevez le bouton de dégagement du filtre et retirez le porte-filtre de l'aspirateur (Fig. 1).
2. Faites pivoter le filtre dans le sens inverse des aiguilles d'une montre pour le retirer du porte-filtre (Fig. 2).
3. Remplacez-le par un nouveau filtre en le faisant pivoter dans le sens des aiguilles d'une montre jusqu'à ce qu'il s'enclenche dans le porte-filtre.
4. Remplacez le porte-filtre dans l'aspirateur (Fig. 3).

REMARQUE : Le filtre ne peut pas être lavé et réutilisé.

Quand remplacer les filtres

Si l'un des membres de votre foyer souffre d'allergies, nous vous conseillons de changer les filtres tous les six mois. Sinon, le filtre doit être remplacé chaque année.

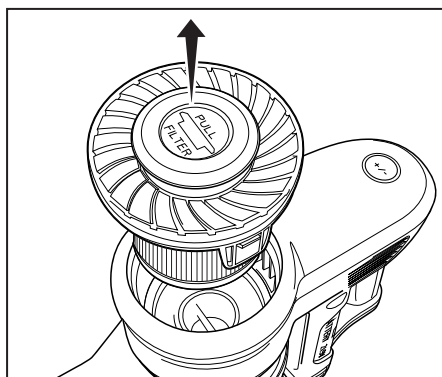


Fig. 1

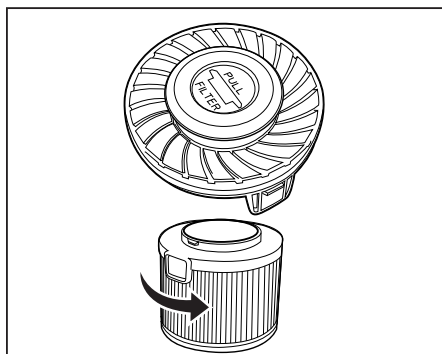


Fig. 2

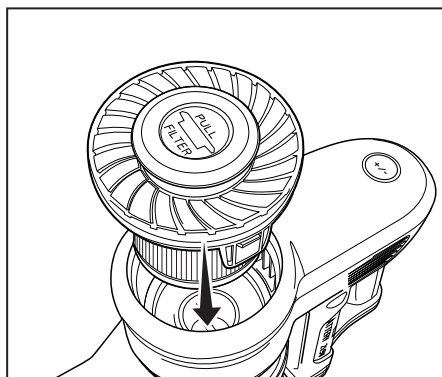


Fig. 3

Enlever le rouleau-brosse

REMARQUE : Éteignez toujours l'aspirateur et retirez la batterie avant d'effectuer un entretien sur l'aspirateur.

1. Retirez le suceur pour sol du tube-rallonge. Retournez le suceur pour sol (Fig. 1).
2. Utilisez une pièce de monnaie ou un tournevis pour tourner la vis dans le sens inverse des aiguilles d'une montre (Fig. 2). Ensuite soulevez le couvercle du rouleau-brosse.
3. Retirez le rouleau-brosse à nettoyer.
4. Remplacez le rouleau-brosse puis remettez-le dans le couvercle du rouleau-brosse. Serrez la vis en la tournant une fois dans le sens des aiguilles d'une montre.
5. Rattachez le suceur pour sol sur le tube-rallonge et continuez à aspirer.

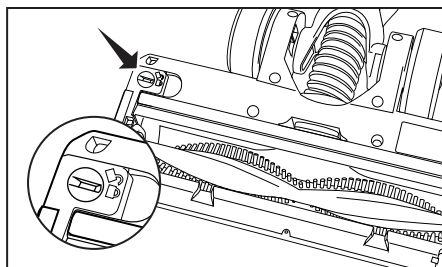


Fig. 1

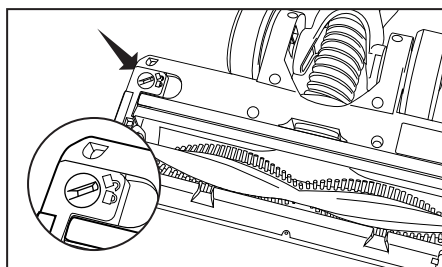


Fig. 2

Nettoyer le rouleau-brosse

REMARQUE : Éteignez toujours l'aspirateur et retirez la batterie avant d'effectuer un entretien sur l'aspirateur.

1. Pour que le nettoyage soit efficace, le rouleau-brosse doit être exempt de toute accumulation de fibres, de ficelles ou de poils. Toutes les 7 à 10 utilisations, retirez la batterie, retournez l'aspirateur et vérifiez que le rouleau-brosse ne contienne pas de fibres ni de poils.
2. Utilisez des ciseaux pour éliminer toute accumulation enchevêtrée autour du rouleau-brosse (Fig. 3).

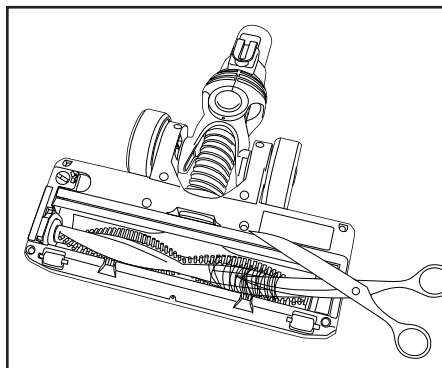


Fig. 3

GUIDE DE RÉOLUTION DE PROBLÈMES

Dépannage

AVERTISSEMENT! Afin de diminuer le risque de choc électrique ou de blessure à cause des pièces mobiles, éteignez l'aspirateur et retirez la batterie avant tout entretien ou nettoyage de l'appareil.

ATTENTION! Afin de réduire le risque de décharge électrique, ne manipulez pas la fiche ou l'appareil avec les mains mouillées.

PROBLÈME	POINT DE VÉRIFICATION	SOLUTION POSSIBLE
L'aspirateur ne fonctionne pas	Charge de batterie	Charger la batterie
	Installation de la batterie	Installer la batterie correctement
	Raccord de l'aspirateur, du tube-rallonge et du suceur pour sol	Assemblez correctement le tube-rallonge et le suceur pour sol sur l'aspirateur
L'aspirateur n'aspire pas la poussière ou la puissance d'aspiration est faible	Réservoir à poussière plein ou obstrué	Videz le réservoir à poussière
	Rouleau-brosse usé	Remplacez le rouleau-brosse
	Suceur pour sol obstrué	Assurez-vous qu'il n'y a pas d'obstruction
	Tube-rallonge obstrué	Assurez-vous qu'il n'y a pas d'obstruction
	Le tube-rallonge n'est pas insérée complètement dans l'aspirateur	Insérer le tube-rallonge complètement dans l'aspirateur
Filtre sale	Remplacez le filtre	
Le rouleau-brosse ne tourne pas	Rouleau-brosse	Nettoyez le rouleau-brosse
De la saleté s'échappe de l'aspirateur	Réservoir à poussière plein ou obstrué	Videz le réservoir à poussière
	Le filtre n'est pas installé correctement	Installez le filtre correctement
	Crevasion dans le filtre	Remplacez le filtre

Comment contacter votre distributeur agréé

Tout autre service doit être effectué par un revendeur autorisé. Pour trouver le revendeur agréé le plus proche, visitez SimplicityVac.com ou appelez le 888-974-6759.

Pièces de rechange principales

- Filtre média HEPA authentique : SF65

Pour une meilleure performance

- Gardez la machine et tous les accessoires propres et en bon état de fonctionnement.
- Videz fréquemment le réservoir à poussière et nettoyez ou remplacez le filtre régulièrement.
- Utilisez toujours des filtres et pièces certifiés, car l'utilisation d'autres produits peut entraîner un mauvais nettoyage ou une mauvaise qualité de filtration. Les produits de filtration Simplicity Vacuum sont conçus pour une performance maximale.
- Rangez soigneusement votre appareil dans un endroit sec.
- Pour une meilleure performance de nettoyage et plus de sécurité, suivez les instructions de votre manuel.

Ce que couvre cette garantie :

Cette garantie couvre tous les défauts matériels et de fabrication du nouvel aspirateur et s'applique uniquement à l'acheteur original.

Durée de la couverture :

Veillez visiter Simplicityvac.com pour obtenir des informations sur la garantie.

Ce que cette garantie ne couvre pas :

- Les dommages causés à l'aspirateur en raison de négligence, d'abus, d'altérations, d'accidents, d'utilisations non-conformes ou d'entretiens inadaptés.
- Articles de rechange normaux : filtres jetables.

Ce que nous offrons :

Cette garantie fournit, sans que vous ayez à encourir de frais, toute la main d'œuvre et toutes les pièces nécessaires pour conserver cet aspirateur en bon état de fonctionnement pendant la période de garantie.

Comment obtenir un service d'entretien et réparation :

Les services de garantie peuvent uniquement être obtenus en présentant l'aspirateur auprès d'un revendeur agréé. Avant tout service, vous devrez présenter une preuve d'achat et le numéro de série du produit en question. Afin de localiser votre centre de service le plus proche, veuillez appeler le 888-974-6759 ou rendez-vous sur notre site Internet à l'adresse www.SimplicityVac.com.

LA PRÉSENTE GARANTIE EST EXCLUSIVE ET REMPLACE TOUTE AUTRE GARANTIE ÉCRITE, ORALE, EXPLICITE OU IMPLICITE (NOTAMMENT TOUTE GARANTIE DE QUALITÉ MARCHANDE OU DE CONFORMITÉ À UN USAGE PARTICULIER). LA PRÉSENTE GARANTIE EXCLUT TOUTE RESPONSABILITÉ POUR DOMMAGES INDIRECTS OU CONSÉCUTIFS.

Comment s'appliquent les lois des États :

La présente garantie vous donne des droits particuliers, et il est possible que vous jouissiez aussi d'autres droits variables d'un État à l'autre.

Informations de garantie du propriétaire (à garder dans vos archives)

Nom du magasin _____

Adresse du magasin _____ Ville _____ État _____ Code postal _____

Téléphone _____ Date d'achat _____

Numéro de série _____ Numéro de modèle _____

Enregistrez votre garantie en ligne sur **www.SimplicityVac.com**



[Simplicityvac.com/register-warranty](https://simplicityvac.com/register-warranty)

Quelle est la *meilleure* façon de faire partie du groupe?

C'est simple : il vous suffit d'enregistrer votre aspirateur Simplicity aujourd'hui et d'activer votre garantie.

Comment trouvez-vous votre aspirateur?

Une fois que vous aurez eu l'occasion d'essayer votre nouvel aspirateur Simplicity, nous aimerions savoir ce que vous en pensez. N'hésitez pas à nous laisser votre avis. Cela ne prend que quelques minutes et nous aide à améliorer nos produits... et la propreté de votre maison.



Simplicity[®]
VACUUMS

Simplicity[®]

SIMPLICITYVAC.COM

888-974-6759

1760 Gilsinn Lane
Fenton, MO 63026