

RICCAR®

ROAM

CORDLESS VACUUM

Owner's Manual



Getting Started

Important Safety Instructions	2
Polarization Instructions	3
State of California Proposition 65 Warnings	3
Description of the Vacuum	4

Assembling the Vacuum

Installing the Battery	5
Attaching / Removing the Battery	5
Attaching / Removing the Dust Cup	5
Attaching the Handle	5
Attaching the Hose	5
Attaching / Removing the Floor Nozzle	6
Attaching the Accessory Tool	6

Operation

Charging the Vacuum	7
On / Off Button	7
High Speed Button	7
Reclining the Vacuum	7
Vacuuming Carpet	8
Bare Floor Cleaning	8
Brushroll Auto Shut Off	8

Attachment Cleaning

Wand Cleaning	9
Hose Handle Cleaning	9
Cleaning Tools	9

Maintenance and Care

Emptying the Dust Cup	10
Cleaning the Dust Cup	11
Removing the Brushroll	11
Replacing the Filter	12
Jammed Brushroll / Motor Protection	13

Problem Solving Guide

Troubleshooting	14
Visit Riccar Vacuums Online	14
How to Contact Your Authorized Retailer	14
Key Replacement Parts	14
For Best Performance	14

Warranty	15
----------------	----

IMPORTANT SAFETY INSTRUCTIONS

When using an electrical appliance, basic precautions should always be followed, including the following:

READ ALL INSTRUCTIONS BEFORE USING THIS APPLIANCE. FOR HOUSEHOLD USE ONLY.

IMPORTANT: The manufacturer cannot accept responsibility for damage caused when the appliance is not used according to the instructions, or for uses other than those for which it was intended.

WARNING: To reduce the risk of fire, electric shock, damage or injury:

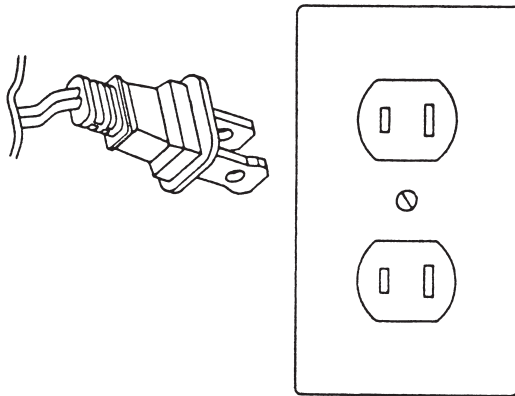
- Fully assemble vacuum before operating.
- Ensure the power switch is in the OFF position before installing the battery.
- Use and store in a dry location.
- Do not use outdoors or on wet surfaces.
- Do not allow to be used as a toy. Close attention is necessary when used by or near children.
- Use only as described in this manual.
- Do not pull or carry charger by cord, use cord as a handle, close a door on the cord, or pull cord around sharp edges or corners. Do not run appliance over cord. Keep cord away from heated surfaces.
- Do not unplug charger by pulling on cord. To unplug charger, grasp the plug, not the cord.
- Do not handle charger, including charger plug, and charger terminals with wet hands.
- Do not put any object into openings. Do not use with any opening blocked; keep free of dust, lint, hair and anything that may reduce air flow.
- Keep hair, loose clothing, fingers and all parts of the body away from openings and moving parts.
- Do not pick up anything that is burning or smoking, such as cigarettes, matches or hot ashes.
- Use extra care when cleaning on stairs.
- Do not use to pick up flammable or combustible liquids such as gasoline or use in areas where they may be present.
- Do not attempt to service the vacuum while on the battery charging dock.
- Do not charge the unit outdoors.
- Only charge in temperatures between 0-45°C (32-113°F).
- Do not open, crush, expose to heat above 100°C (212°F) or incinerate the battery even if it is severely damaged. The battery can explode in a fire.
- Do not use with a damaged battery or charger. If the appliance is not working as it should, has been dropped, damaged, left outdoors, or dropped into water, return it to your Authorized Riccar Retailer.
- Use only with the battery charging dock supplied with this vacuum.
- The battery and charging dock have no user serviceable parts.
- Batteries must be disposed of responsibly. Contact your Authorized Riccar Retailer for information on battery disposal. To find battery recycle pickup sites near you, please check out www.call2recycle.org.
- Remove the battery before performing any service on the vacuum.
- Keep the battery installed in the vacuum at all times.
- Under abusive conditions, liquid may be ejected from the battery; avoid contact. If contact accidentally occurs, flush with water. If liquid contacts eyes, seek medical help. Liquid ejected from the battery may cause irritation or burns.

SAVE THESE INSTRUCTIONS.

POLARIZATION INSTRUCTIONS

Power Cord, 2-Wire Polarized Cord

To reduce the risk of electric shock, the charger is equipped with a polarized alternating current line plug (a plug having one blade wider than the other). This plug will fit into the power outlet only one way. This is a safety feature. If you are unable to insert the plug fully into the outlet, try reversing the plug. If the plug should still fail to fit, contact a qualified electrician to replace the obsolete outlet. Do not defeat the safety purpose of the polarized plug.

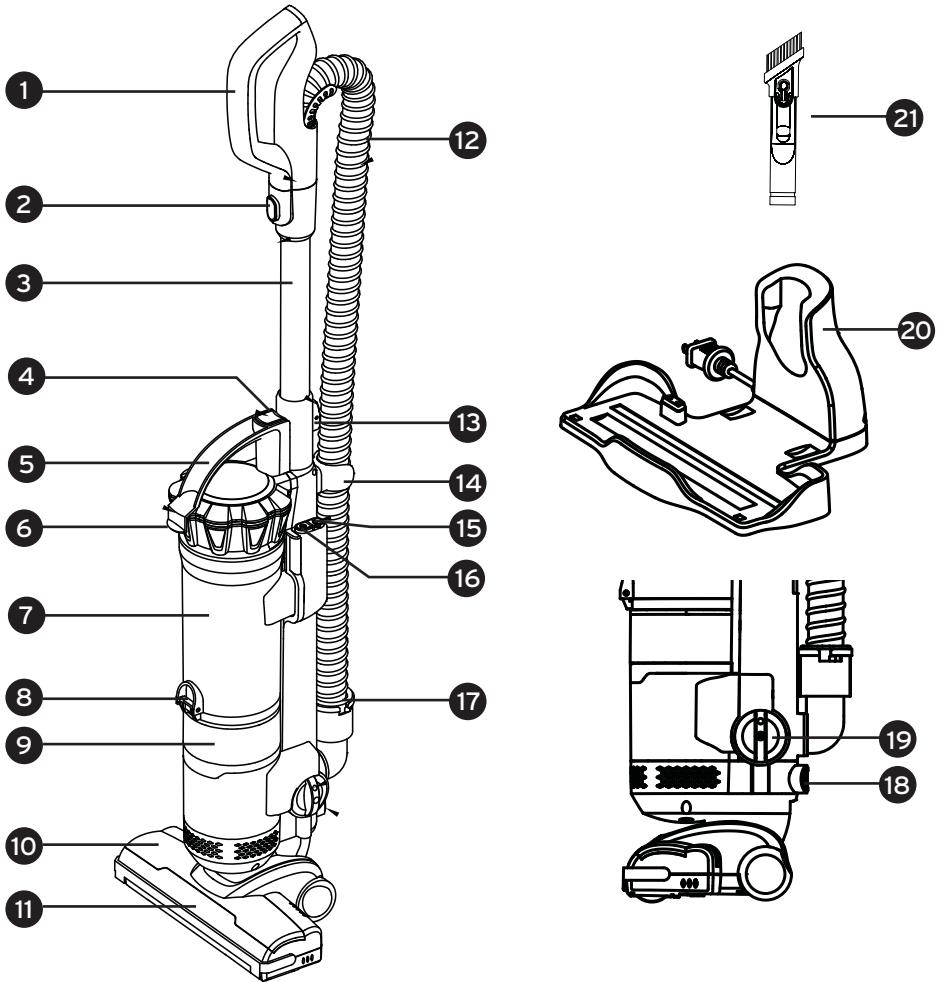


State of California Proposition 65 Warnings:

WARNING: This product contains one or more chemicals known to the State of California to cause cancer.

WARNING: This product contains one or more chemicals known to the State of California to cause birth defects or other reproductive harm.

DESCRIPTION OF THE VACUUM



- | | | | |
|----|---|----|----------------------------------|
| 1 | Handle | 11 | LED Headlights |
| 2 | Handle Release Button | 12 | Stretch Hose |
| 3 | Metal Wand | 13 | Wand Release Button |
| 4 | Upper Dust Cup Release Button
(to remove and replace dust cup) | 14 | Hose Guide |
| 5 | Dust Cup Handle | 15 | High Speed Button |
| 6 | Dust Cup Cover Latch (to access filter) | 16 | On/Off Button |
| 7 | Dust Cup | 17 | Hose Inlet |
| 8 | Lower Dust Cup Button
(to empty contents) | 18 | Floor Nozzle Release Button |
| 9 | Battery Compartment | 19 | Tool Activation Dial |
| 10 | Floor Nozzle | 20 | Battery Charging Dock |
| | | 21 | Combination Crevice/Dusting Tool |

Installing the Battery

Line up the connectors in the front of the battery compartment with the battery pack. Push the battery down to ensure a connection. Place the battery cover over the battery, lining it up with the arrow on the vacuum. Turn the battery cover in the direction of the locked position (clockwise) until it clicks into place (Fig. 1).

Removing the Battery

Turn the battery cover to the unlocked position (counter-clockwise) and lift off the cover. Then remove the battery (Fig. 1).

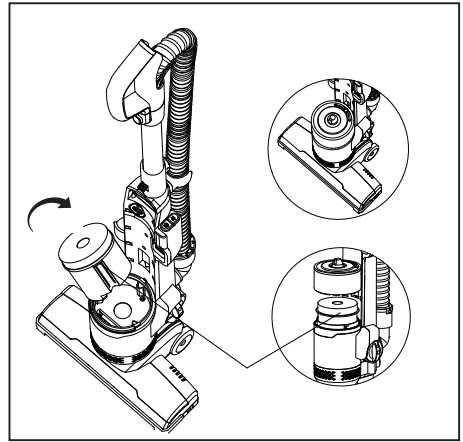


Fig. 1

Attaching the Dust Cup Assembly

Line up the bottom of the dust cup with the top of the battery cover. Then push the upper dust cup release button while pushing the top of the dust cup into the vacuum until it clicks into place (Fig. 2).

Removing the Dust Cup Assembly

Hold the dust cup handle and press the upper dust cup release button and remove the dust cup assembly from the vacuum.

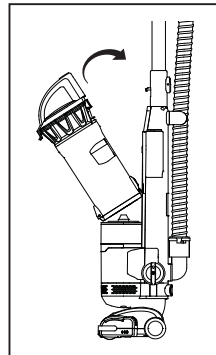


Fig. 2

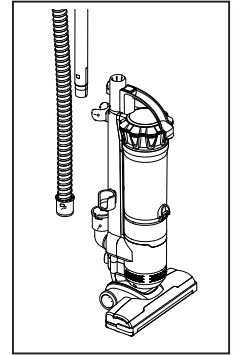


Fig. 3

Attaching the Handle

With the handle release button facing the front of the vacuum, insert the metal wand into the top of the vacuum (Fig. 3) until it clicks into place. Then insert the hose handle into the top of the metal wand until it clicks into place (Fig. 4).

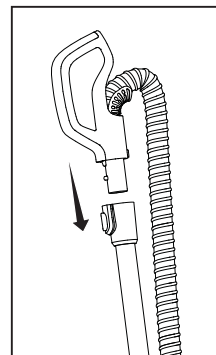


Fig. 4

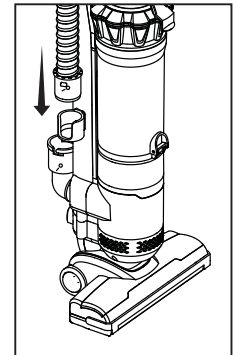


Fig. 5

Attaching the Hose

Press the hose into the hose guide on the back of the vacuum. Then insert the hose cuff into the hose inlet and turn the cuff counter-clockwise to lock into place (Fig. 5).

ASSEMBLING THE VACUUM

Attaching the Floor Nozzle

Place the floor nozzle on the floor with the neck locked in the upright position. Line up the neck of the floor nozzle with the inlet at the base of the vacuum. (Fig. 1) Push until it clicks into place.

Removing the Floor Nozzle

Press the floor nozzle release button at the base of the vacuum then pull the floor nozzle off the inlet. (Fig. 2)

Attaching the Accessory Tool

Insert the base of the combination crevice/dusting tool into the tool holder on the side of the vacuum. (Fig. 3)

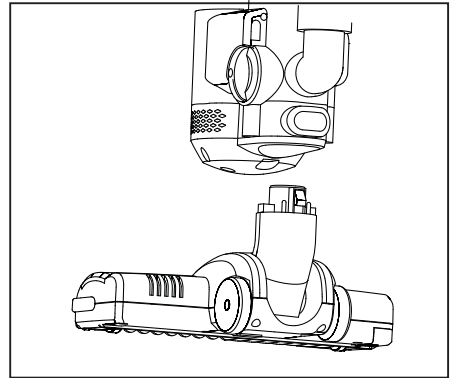


Fig. 1

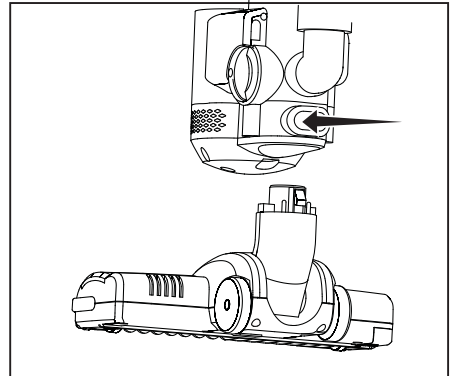


Fig. 2

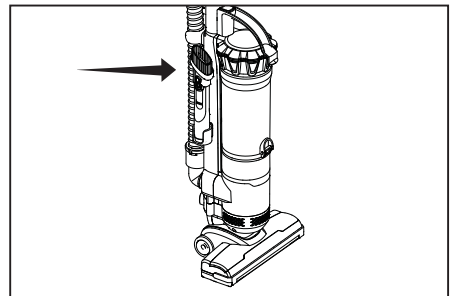


Fig. 3

This vacuum is intended for household use only.

Charging the Vacuum

Install the battery into the vacuum. (Installing the Battery pg. 5) Plug the battery charger dock into an electrical outlet. Mount the vacuum into the charger until it clicks into place (Fig. 1). The power button will illuminate red while the battery is charging (Fig. 2). When the power button illuminates green the battery is fully charged. Remove the vacuum from the charger dock and begin vacuuming.

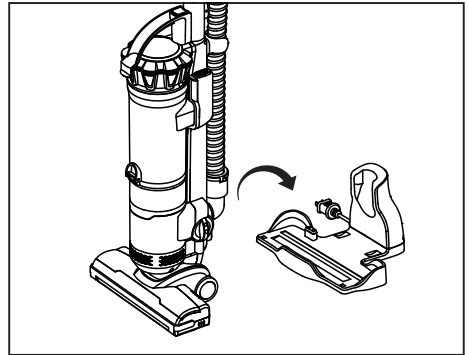


Fig. 1

When the battery power runs low, the vacuum will automatically shut off to protect the battery. Place the vacuum on the battery charger dock to recharge the battery.

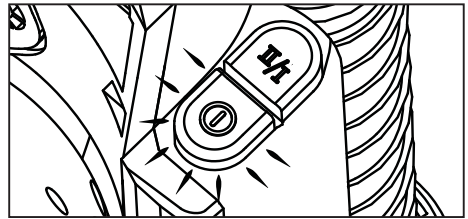


Fig. 2

NOTE: The vacuum is equipped with a safeguard to recognize when it's charging so it cannot be turned on during charging time.

On/Off Button

Push the power button (Fig. 3) to turn the vacuum on. The light will turn green and the vacuum defaults to low speed. Press the power button again to turn the vacuum off.

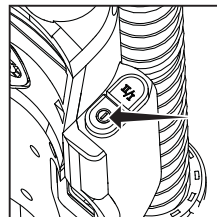


Fig. 3

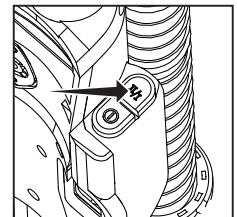


Fig. 4

High Speed Button

Press the high speed switch button (Fig. 4) for maximum power. Use the maximum power setting for low pile carpet or throw rugs. Use the default low speed setting for bare floors.

Reclining the Vacuum

Place your foot on the top of the floor nozzle and pull the handle toward you.

OPERATION

Vacuuming Carpet

For carpet or rug cleaning, turn the tool activation dial to the “CLEAN FLOORS & CARPET” position (Fig. 1) then press the on/off button to turn the vacuum on. Then press the high speed switch button for maximum power.

Bare Floor Cleaning

For bare floor cleaning, turn the tool activation dial to the “CLEAN FLOORS & CARPET” position (Fig. 1) then press the on/off button to turn the vacuum on.

The LED headlights will automatically illuminate when the power is on and the handle is reclined. The headlights will automatically shut off when the vacuum is placed in the upright position.

Brushroll Auto Shut-Off Feature

When the vacuum is turned on and in the upright position, the brushroll will not spin to reduce the possibility of damaging flooring surfaces. The brushroll will spin when the handle is lowered. The LED headlights will not illuminate until the handle is lowered.

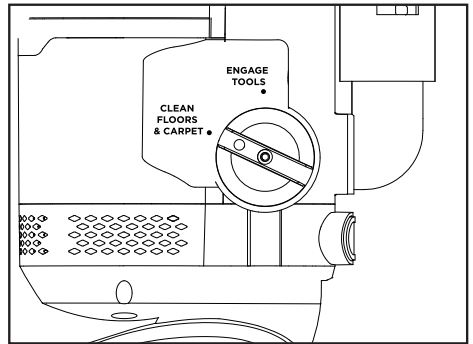


Fig. 1

Wand Cleaning

Turn the tool activation dial to the “ENGAGE TOOLS” position (Fig. 1). Remove the metal wand from the body of the vacuum by pressing the wand release button (Fig. 2) and pulling the handle up and out of the vacuum. Attach the combination crevice/dusting tool to the end of the metal wand. Release the hose from the hose guide on the back of the vacuum (Fig. 3).

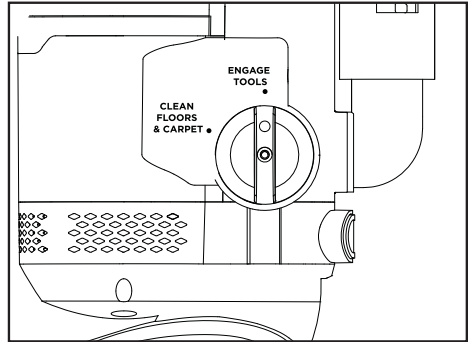


Fig. 1

Hose Handle Cleaning

Turn the tool activation dial to the “ENGAGE TOOLS” position (Fig. 1). Remove the handle from the metal wand by pressing the handle release button (Fig. 4) and pulling the handle up and out of the wand. Attach the combination crevice/dusting tool to the end of the hose handle (Fig. 5). Release the hose from the hose guide on the back of the vacuum.

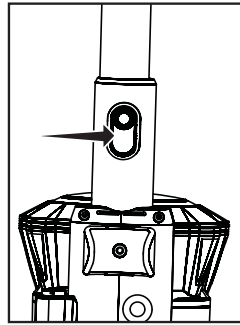


Fig. 2

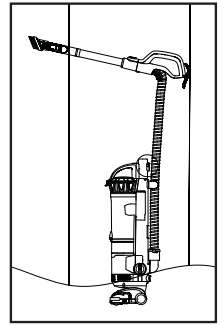


Fig. 3

Cleaning Tools

Your vacuum is equipped with a combination crevice tool and dusting brush (Fig. 6).

Crevice Tool

Ideal for tight places like between seat cushions, corners or baseboards. Push in both buttons on the sides of the tool and push the brush down to use the crevice tool (Fig. 6).

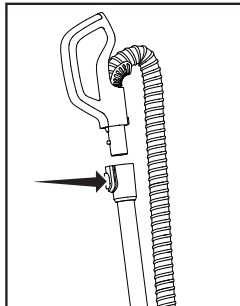


Fig. 4

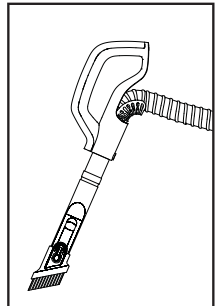


Fig. 5

Dusting Tool

Ideal for table tops, shelves and blinds. Push in both buttons on the sides of the tool and push the brush up to use the z tool (Fig. 6).

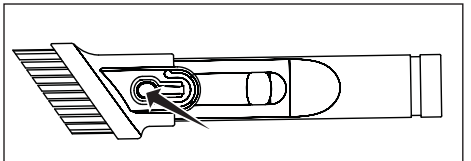


Fig. 6

MAINTENANCE AND CARE

Emptying the Dust Cup

WARNING: Empty the dust cup before the contents reach the “fill line” on the dust cup. Over filling the dust cup may cause dirt and debris to clog the filter and cause loss of suction.

- Remove the dust cup from the vacuum by pressing the upper dust cup release button on top of the dust cup (Fig. 1).
- While holding the dust cup over a trash can, push the lower dust cup release button at the bottom of the dust cup (Fig. 2). The base of the dust cup will drop down, releasing the dirt.
- Close the bottom of the dust cup, ensuring it locks into place. Replace the dust cup onto the vacuum body and resume vacuuming.

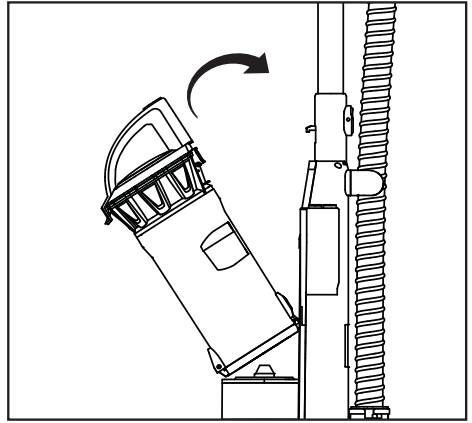


Fig. 1

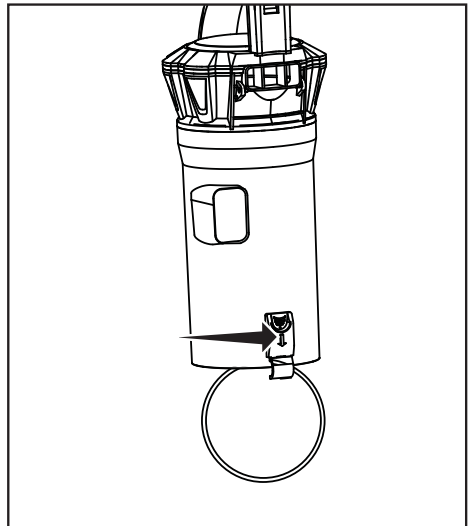


Fig. 2

Cleaning the Dust Cup

- Remove the dust cup from the vacuum by pressing the upper dust cup release button on top of the dust cup (Fig. 1).
- Turn the dust cup handle to remove the dust cup cover from the dust cup.
- Rinse the dust cup in warm water. Allow to dry thoroughly before re-attaching it to the dust cup cover.
- Replace the dust cup onto the vacuum body and resume vacuuming.

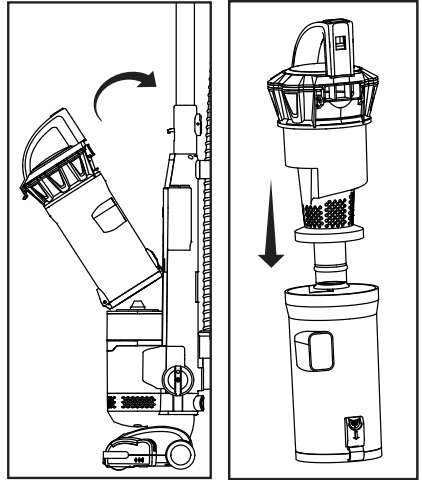


Fig. 1

Fig. 2

Removing the Brushroll

- Remove the floor nozzle by pressing the floor nozzle release button on the back of the vacuum (Fig. 3).
- Turn the floor nozzle over. Use a screwdriver or a coin to turn the screw once to the left. Then lift off the brushroll cover (Fig. 2).
- Remove brushroll from floor nozzle to clean or replace (Fig. 5).
- Replace brushroll then replace brushroll cover. Tighten the screw by turning once to the right.
- Re-attach floor nozzle.

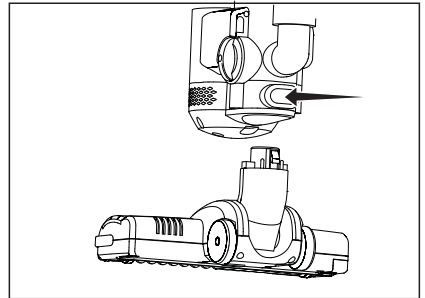


Fig. 3

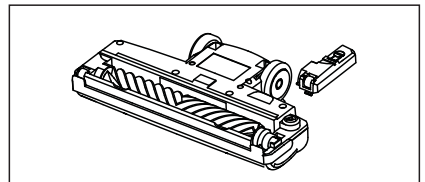


Fig. 4

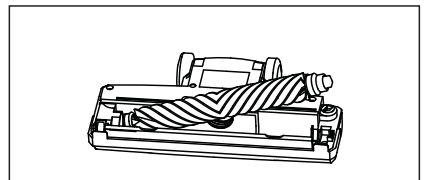


Fig. 5

MAINTENANCE AND CARE

Replacing the Filter

- Remove the dust cup from the vacuum by pressing the upper dust cup release button on top of the dust cup (Fig. 1).
- Push up on the dust cup cover latch. Remove the HEPA media filter by grasping the top of the filter and pulling straight up (Fig. 2).
- Replace with a new filter.
- Close the dust cup cover until it latches.
- Replace the dust cup onto the vacuum.

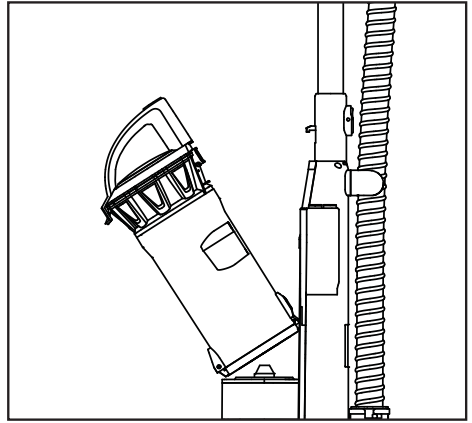


Fig. 1

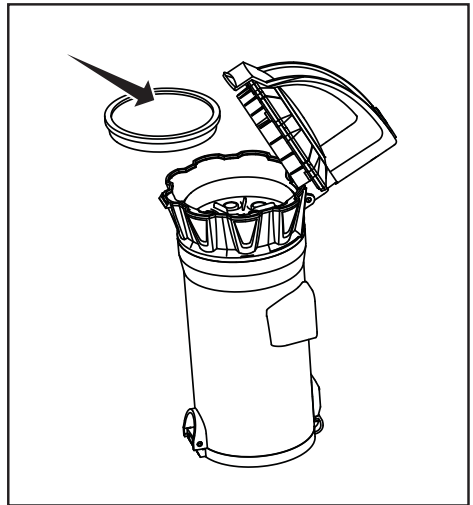


Fig. 2

Jammed Brushroll / Motor Protection

If an object, such as a throw rug or article of clothing is ever picked up into your vacuum, the vacuum will sense this jammed brushroll condition and turn off the vacuum motor. If this occurs, remove the cause of the jam and turn the vacuum back on.

PROBLEM SOLVING GUIDE

Troubleshooting

WARNING! To Reduce the Risk of Electrical Shock or Injury From Moving Parts, Unplug the Charging Dock and Remove the Battery Before Servicing or Cleaning the Vacuum.

CAUTION! To Reduce the Risk of Electric Shock, Do Not Handle the Charging Dock or Appliance with Wet Hands.

PROBLEM	POSSIBLE REASON	POSSIBLE SOLUTION
Vacuum won't turn on	<ul style="list-style-type: none">• Drained Battery• Uninstalled battery• Battery installed incorrectly	<ul style="list-style-type: none">• Charge the vacuum• Install the battery• Install the battery properly
Vacuum won't pick up or low suction	<ul style="list-style-type: none">• The dust cup is full• Filter is dirty• The neck of the floor nozzle is blocked or the brushroll is jammed• Speed control set on low	<ul style="list-style-type: none">• Empty the dust cup• Clean or replace filter• Clear the debris from the floor nozzle or brushroll • Press the high speed switch button for maximum power
Insufficient run time after charging	<ul style="list-style-type: none">• Insufficient charging time • Battery aging	<ul style="list-style-type: none">• Fully charge the vacuum according to the instructions described on page 7• Replace the battery
Whistling sound when vacuum is turned on.	<ul style="list-style-type: none">• Tool activation dial improperly set between floor nozzle setting and tool setting.	<ul style="list-style-type: none">• Set the tool activation dial to appropriate setting

**Any other service should be performed by an Authorized Riccar Vacuum Retailer.
To locate your nearest Authorized Retailer, visit our website at
www.Riccar.com or call 1-888-6-RICCAR.**

Key Replacement Parts

- Genuine Filter: RFR (HEPA media and foam filters)

For Best Performance

- Keep your vacuum clean and in good operating condition.
- Always use genuine replacement parts. Use of other products may result in poor cleaning performance, potential vacuum cleaner damage and may void vacuum warranty. Genuine products are designed for maximum cleaning performance.
- Have your vacuum checked annually by your Authorized Riccar Retailer.
- Store your vacuum carefully in a dry area.
- For optimum cleaning performance and safety, follow your owner's manual instructions.

What is Covered:

This warranty covers any defects in material and workmanship in your new Riccar vacuum and applies exclusively to the original purchaser.

How Long Coverage Lasts:

Warranty coverage for the Roam vacuum lasts two years. Warranty coverage for the Roam battery lasts one year. Household models used commercially are only warranted for 90 days.

What is Not Covered:

- Damage to the vacuum which occurs from neglect, abuse, alterations, accident, misuse or improper maintenance.
- Normal replacement items: disposable filters.
- Damage associated with or resulting from the use of non-genuine parts including normal replacement items.

What We Will Do:

This warranty provides, at no cost to you, all labor and parts to keep this vacuum in correct operating condition during the warranted period.

How to Get Service:

Warranty service can only be obtained by presenting the vacuum to an Authorized Riccar Retailer. A proof-of-purchase and product serial number will be required before service is rendered. To locate your nearest service center, please call 1-888-6-RICCAR or visit www.Riccar.com.

THIS WARRANTY IS EXCLUSIVE AND IN LIEU OF ANY AND ALL OTHER WARRANTIES WHETHER WRITTEN, ORAL, EXPRESSED OR IMPLIED, (INCLUDING ANY WARRANTY OF MERCHANTABILITY OR FITNESS FOR A PARTICULAR PURPOSE). THIS WARRANTY DISCLAIMS LIABILITY FOR INCIDENTAL OR CONSEQUENTIAL DAMAGES.

How State Law Applies:

This warranty gives you specific legal rights, and you may also have other rights which vary from state to state.

Register your warranty online at www.Riccar.com

OWNER'S WARRANTY INFORMATION

keep this for your records...

Date of purchase _____

Serial number _____

Model number _____

Purchased from:

Store name _____

Address _____

City, State, Zip _____

Telephone _____

RICCAR®
www.Riccar.com