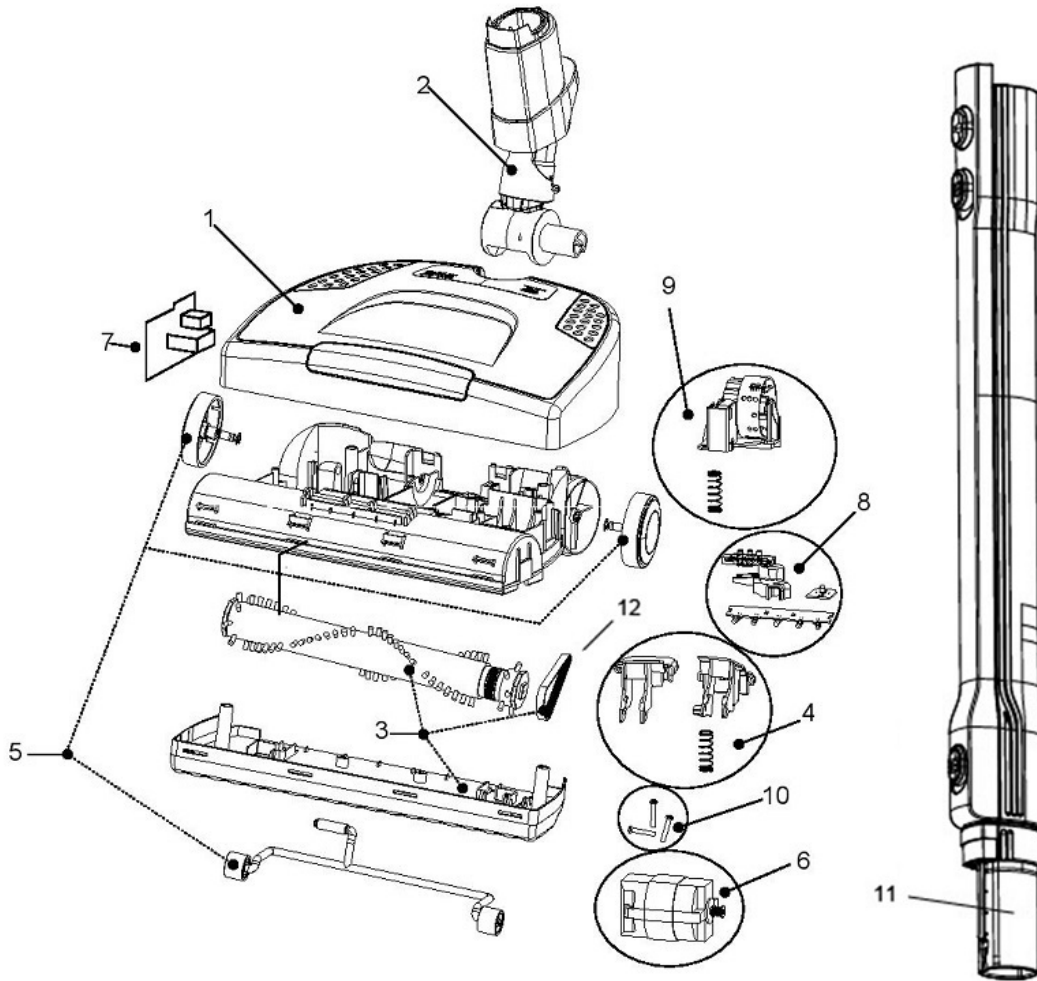


Replacement Parts

Beam Q100 (045056)



No	Item#	Description
1	155265	Hood Assy,Q100 155265
2	155259	Neck Coupling Assy 155259
3	155260	Brushroll,Belt&Soleplate 155260

4	<u>155261</u>	<u>Pedals Left & Right W/spring 155261</u>
5	<u>155262</u>	<u>Wheel kit Front & Back 155262</u>
6	<u>155263</u>	<u>Powerhead Motor Assembly 155263</u>
7	<u>100427</u>	<u>UNIT MAIN PCB ASSY. 100427</u>
8	<u>100428</u>	<u>PCB'S-LAMP,HGHT IND.,OVRLD IND 100428</u>
9	<u>155264</u>	<u>HEIGHT ADJ.ACTUATOR W/SPRING 155264</u>
10	<u>160236</u>	<u>SCREW PAK 160236</u>
11	<u>155275</u>	<u>Wand: Telescopic DD GRAY 120v 155275</u>
12	<u>155267</u>	<u>BELT: DRIVE BELT NUE 155267</u>
