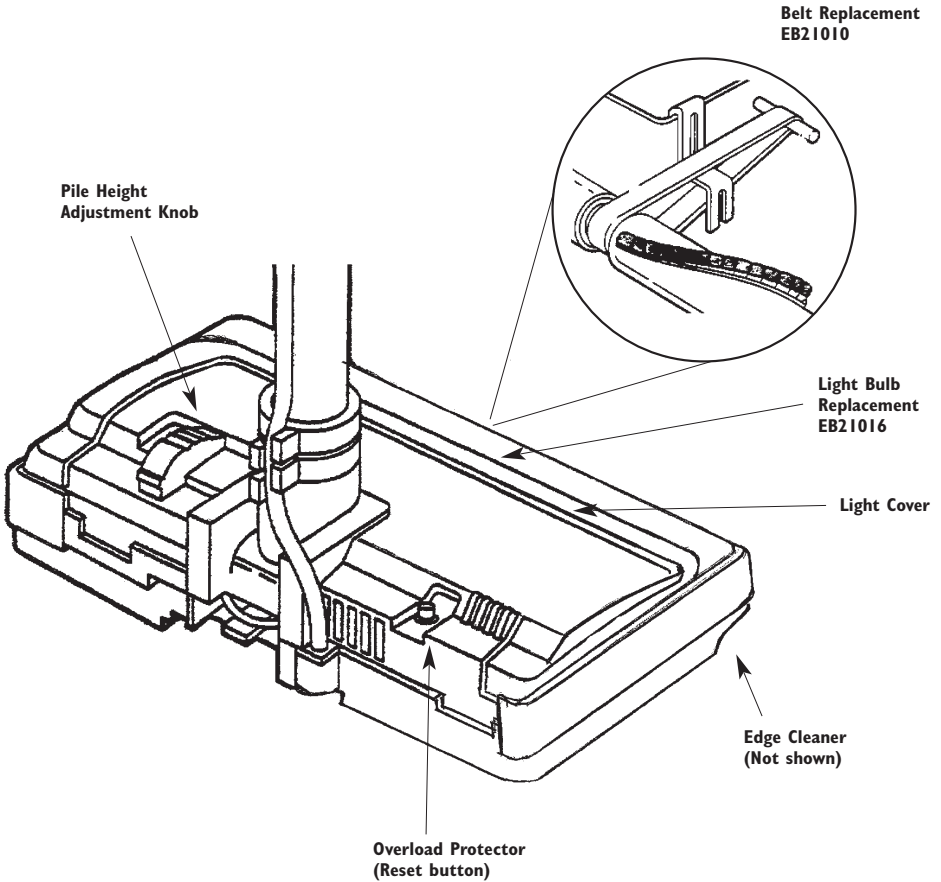


The CT-12DX Electric Brush



Safety Instructions

Please read all instructions before using this Electric Powerhead.

Warning!

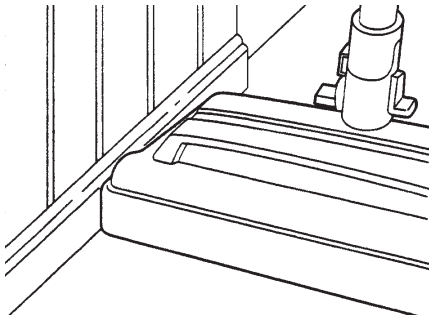
Electric shock could occur if used out doors or on wet surfaces.

- 1) Unplug and disconnect power before servicing.
- 2) Always turn off this appliance before connecting or disconnecting either hose or motorized nozzle.
- 3) Do not pick up anything that is burning or smoking, such as cigarettes, matches, or hot ashes.
- 4) Use only as described in this manual. Use only manufacturers recommended attachments.
- 5) Do not unplug by pulling on cord. To unplug, grasp plug, not the cord.
- 6) Do not handle system or appliances with wet hands.
- 7) Turn off all controls before unplugging.
- 8) Do not use with damaged cord or plug. If appliance is not working as it should, has been dropped, damaged, left outdoors, or dropped into water, return it to distributor.
- 9) Do not allow to be used as a toy. Close attention is necessary when used by or near small children.
- 10) The hose contains electrical wires. Do not use if damaged, cut or punctured. Avoid picking up sharp objects.
- 11) Do not put any object into openings.
- 12) Do not use with any opening blocked; keep free of dust, lint, hair, and anything that may reduce air flow.
- 13) Keep hair, loose clothing, fingers, and all parts of the body away from openings and moving parts.
- 14) Do not leave vacuum or brush when plugged in. Unplug from outlet when not in use and before servicing.
- 15) Do not pick up flammable or combustible liquids such as gasoline or use it in areas where they may be present.
- 16) Use extra care when cleaning on stairs.

Special Features

Edge Cleaner

Active brush edge cleaners are on both sides of either electric brush. Guide either side of the brush along base boards or next to furniture to help remove dirt trapped at carpet edges.

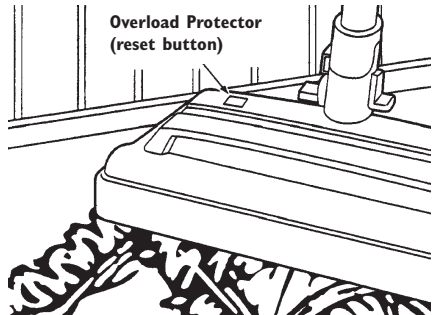


Overload Protector

The overload protector protects the motor from brush jamming and belt breakage. If the brush stops, the overload protector will stop the electric brush.

To correct problem:

Unplug the electrical cord. Check brush area for excessive lint buildup or jamming.



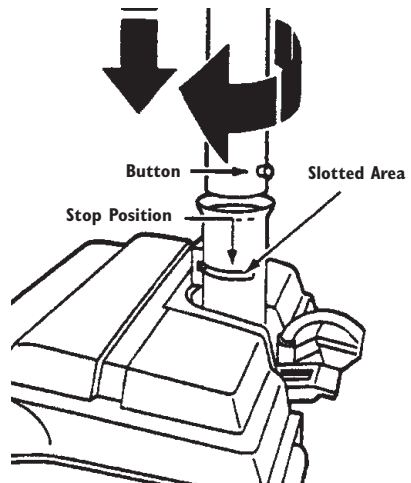
To reset:

Press reset button on top of the brush. Plug in and turn on vacuum and brush.

Wand Release

CT-12DX Electric Brush (Wand Release)

Insert wands into CT-12DX. Snap wand button into place. Turn wand button past the stop position. This slotted area allows you to turn the handle to the side to reach farther under furniture.

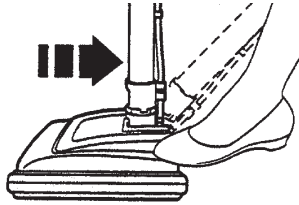


Electric Brush Use

How to start.

CT-12DX:

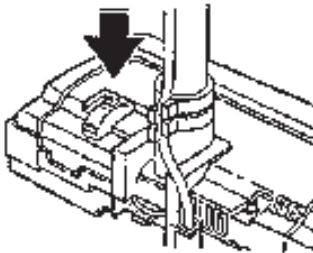
- 1) To lower wands hold CT-12DX down with foot and pull back on wands.
- 2) Start vacuum and electric brush.



Change Pile Settings:

Select a pile height setting by rotating the pile height control on the CT-12DX Electric Brush.

The pile height setting is shown on the control. The deeper the pile of the carpet, the higher the setting.



Suggested pile height settings:

For best deep down cleaning, use the **XLO** setting. However you may need to raise the height to make some jobs easier.

As a general guide:

- XLO** — most carpet heights
- LO** — short to medium pile
- MED** — medium to long pile
- HI** — shag and long pile

CT-12DX Electric Brush Care



WARNING

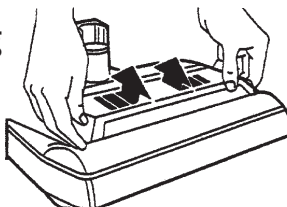
Electric Shock Hazard

Disconnect electrical supply before servicing or cleaning the unit. Failure to do so could result in electrical shock or personal injury.

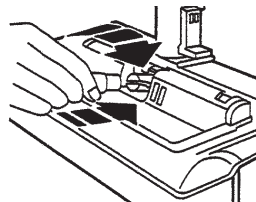
Light Changing

CT-12DX Electric Brush:

- 1) Remove light cover by pressing in and lifting both sides as shown.



- 2) Push in and turn bulb to remove.



- 3) Replace bulb and snap light cover in place. Note: replacement bulb number is EB21016.

CT-12DX Electric Brush Care

Belt Changing and Brush Cleaning

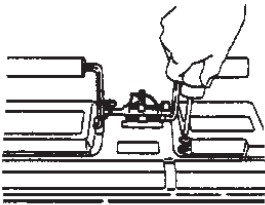
CT-12DX Electric Brush:

Disconnect hose and brush from electrical outlet.

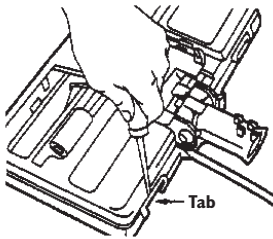
Frequently check and remove hair, string and lint buildup in the CT-12DX brush area. If buildup becomes excessive, disconnect the CT-12DX from wand and follow steps below.

To Remove:

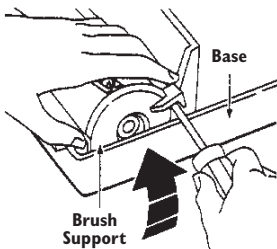
- 1) Raise the pile height adjustment rollers. Remove the two cover screws from the CT-12DX base.



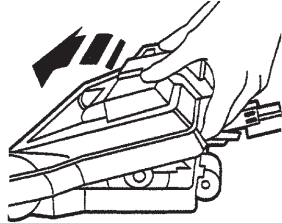
- 2) Insert and twist flat screw-driver under both back cover tabs.



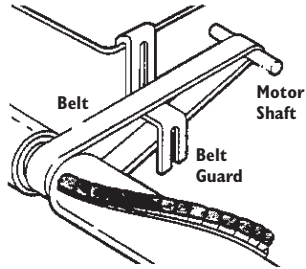
- 3) Turn the CT-12DX right side up. Tilt cover forward from back until front snaps free.



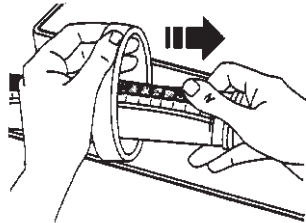
- 4) Carefully insert and lift screwdriver at each brush support to free brush from base.



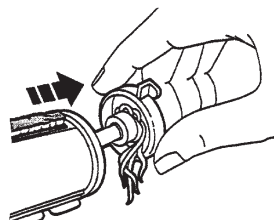
- 5) Remove belt from motor shaft.



- 6) Remove broken or worn belt.



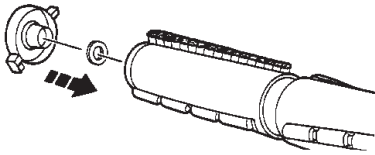
- 7) Slide brush supports off to check and clean brush support areas. See *CT-12DX Brush Assembly* for picture of complete brush.



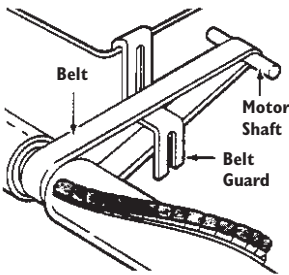
CT-12DX Electric Brush Care

To Replace:

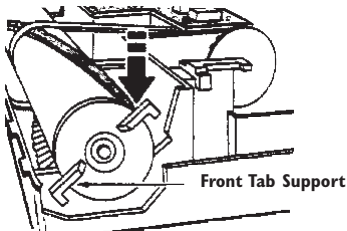
- 1) Slide on washers and brush supports.



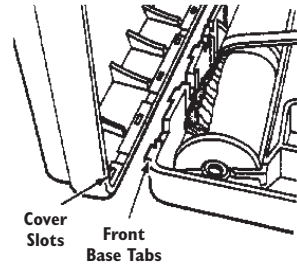
- 2) Install new belt in belt groove on the brush assembly, then over motor shaft as shown.
Note: replacement belt number is EB21010.



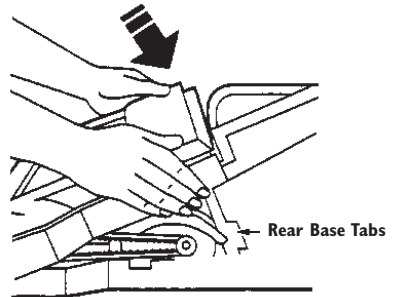
- 3) Insert both front support tabs into base slots. Then snap brush supports into place.



- 4) Line up tabs on front of base with slots inside the cover front.



- 5) Tilt cover to back. Press cover firmly until rear tabs snap into place. Turn CT-12DX over, replace cover screws and lower the pileheight adjustment rollers into place.

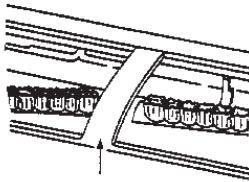


CT-12DX Brush Servicing

Disconnect hose and brush from electrical outlet and disconnect CT-12DX from wand so brush will not operate while being serviced.

To Check:

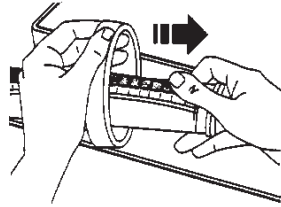
When brush is worn to the level of the base support bars, replace the brush.



Base Support Bar

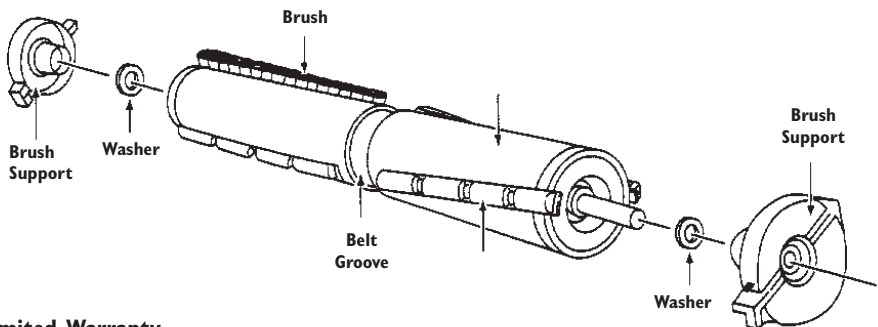
To Replace:

Remove light cover, CT-12DX cover, belt and brush assembly (follow "to remove" section in *Belt Changing and Brush Cleaning*.)



- 1) Remove brush support and washers from brush assembly.
- 2) Remove brush assembly and replace with new brush.
- 3) Reassemble brush assembly.
- 4) Replace belt, brush assembly, CT-12DX cover.

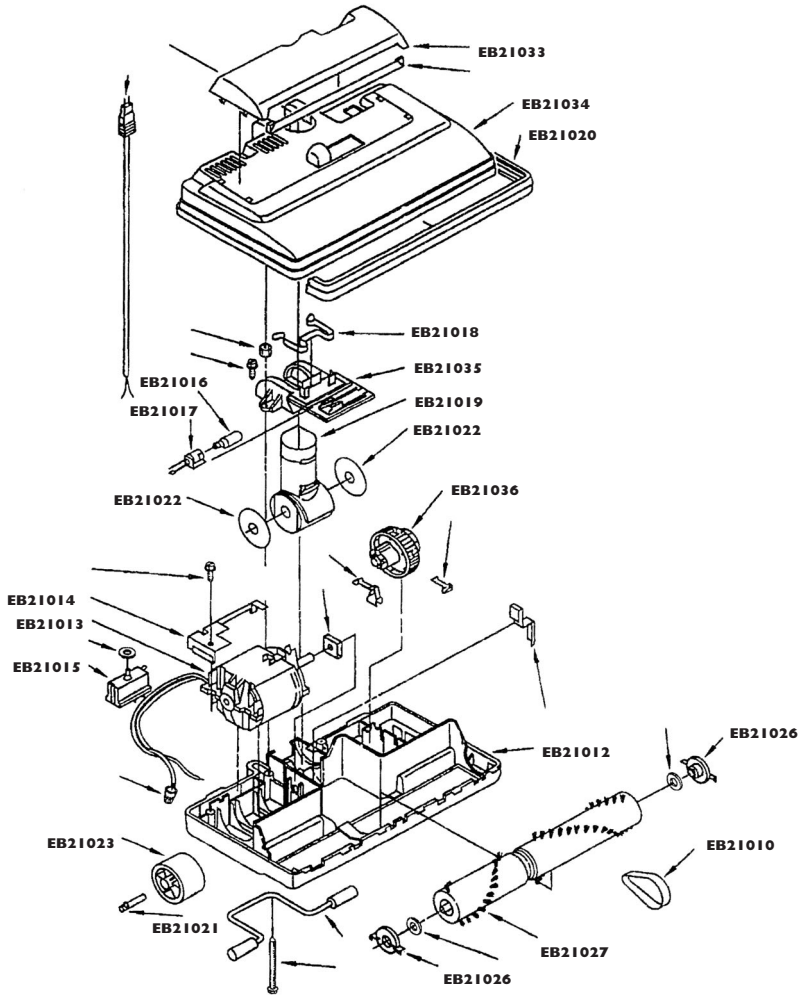
CT-12DX Brush Assembly



Limited Warranty

The CT-DX12 is warranted against defects in material and workmanship for a period of one (1) year. This warranty covers brushes used for household purposes only, provided all guidelines in this manual are followed. This warranty is limited to the replacement of the defective part, the cost of shipping shall be incurred by the purchaser. This warranty does not apply to bulbs and belt replacement caused by normal use. This warranty is exclusive and is in lieu of all other warranties whether written, oral, or implied. Liability is in all cases limited to the replacement of product. No liability shall be incurred for any other damages arising from the sale or use of this product whether consequential, indirect, incidental, or act of God.

CT-12DX Explosion and Parts List



EB21010	Belt	EB21018	Catch, Yoke	EB21027	Brush Assembly
EB21012	Base Nozzle	EB21019	Yoke	EB21033	Panel, Light
EB21013	Motor	EB21020	Bumper	EB21034	Nozzle, Floor (Upper)
EB21014	Bracket, Motor	EB21021	Shaft, Roller	EB21035	Cap Swivel
EB21015	Overload Protector	EB21022	Seal, Yoke Bearing (2)	EB21036	Indicator Cam
EB21016	Bulb, Light	EB21023	Wheel, Nozzle		
EB21017	Socket, Bulb	EB21026	Bearing Assembly		