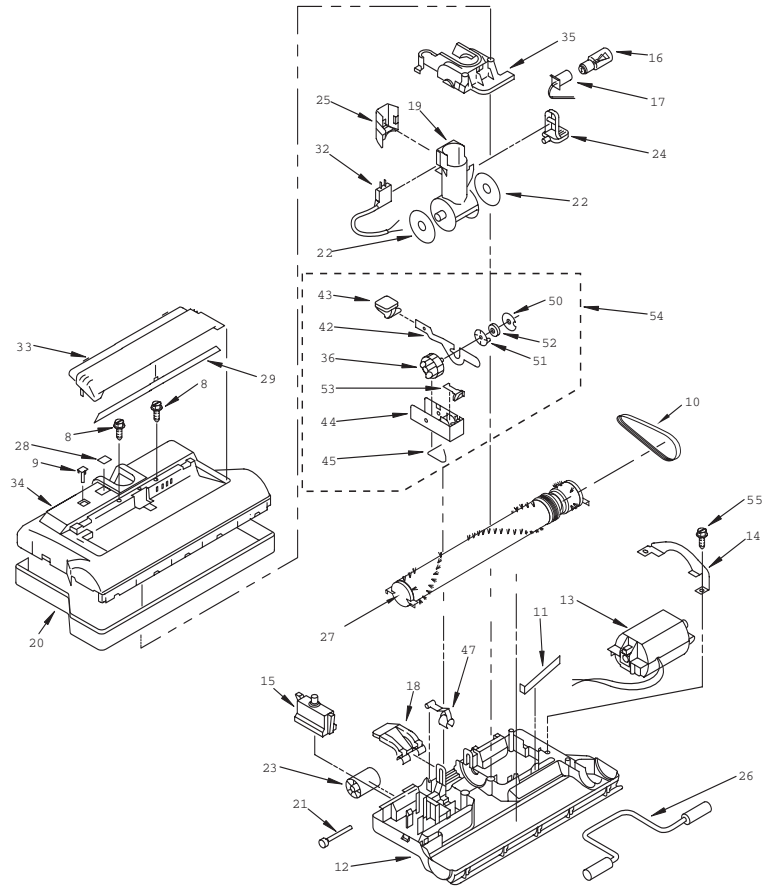
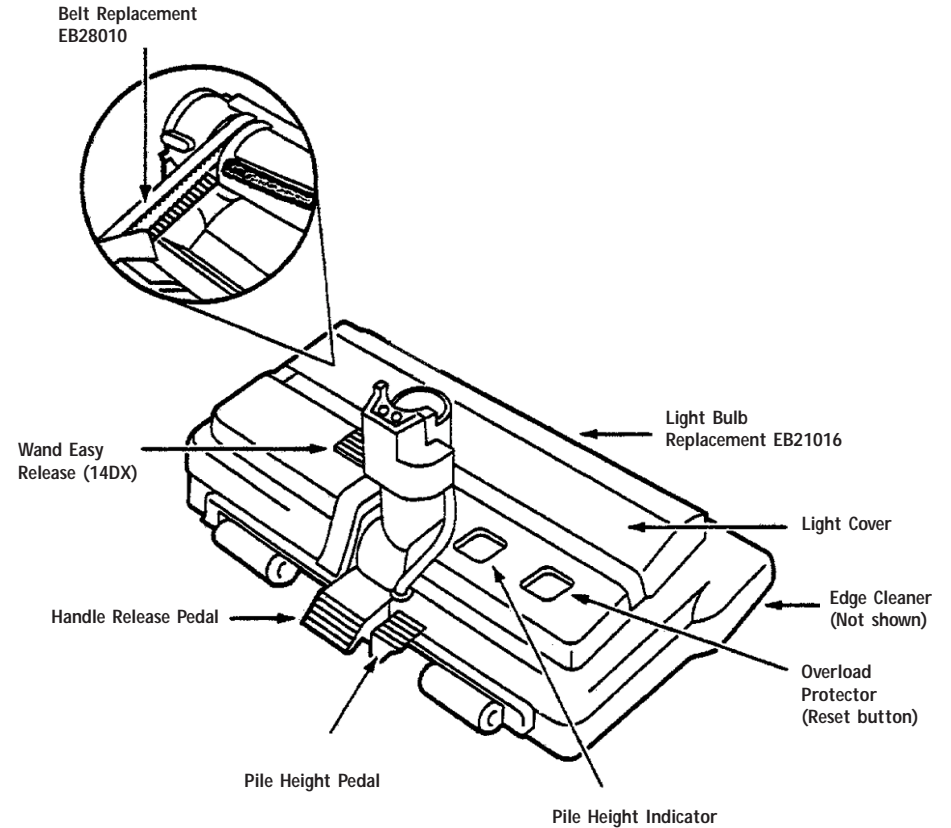


# Explosion and Parts List



Ref#	Part#	Description	Ref#	Part#	Description	Ref#	Part#	Description
8	40713	Screw	22	40383	Swivel Seal	43	40581	Pad For Lever
9	40262	Button Extension	23	40394	Roller Rear	44	40592	Indicator Block
10	40966	Belt	24	40405	Foot Pedal	45	40603	Spring Assist
11	40284	Motor Adjustment Spring	25	40416	Cover, Plug Housing	47	40625	Lifter
12	49271	Lower Plate	26	40427	Front Axle Assy	48	40636	Screw, Type 25
13	40977	Motor	27	49282	Agitator Unit	54	40933	Indicator Block Assembly
14	40317	Motor Bridge	28	40801	Indicator Window	55	40944	Screw, Motor Bridge
15	39932	Overload Protector	29	40449	Lens Light			
16	39943	Bulb, Light	32	40460	Cord & Plug Assy			
17	40328	Socket, Bulb	33	40471	Housing Bulb			
18	40339	Handle Release	34	40482	Nozzle			
19	40350	Swivel	35	40493	Swivel Cap			
20	40361	Bumper	36	40878	Indicator Cam			
21	40372	Rear Axle	42	40570	Indicator Lever			

# CT-14DXQD



# Safety Instructions

Please read all instructions before using this Electric Powerhead.

Warning!  
Electric shock could occur if used out doors or on wet surfaces.

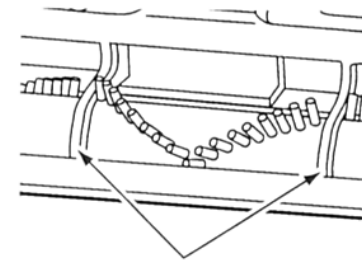
- 1) Unplug and disconnect power before servicing.
- 2) Always turn off this appliance before connecting or disconnecting either hose or motorized nozzle.
- 3) Do not pick up anything that is burning or smoking, such as cigarettes, matches, or hot ashes.
- 4) Use only as described in this manual. Use only manufacturers recommended attachments.
- 5) Do not unplug by pulling on cord. To unplug, grasp plug, not the cord.
- 6) Do not handle system or appliances with wet hands.
- 7) Turn off all controls before unplugging.
- 8) Do not use with damaged cord or plug. If appliance is not working as it should, has been dropped, damaged, left outdoors, or dropped into water, return it to distributor.
- 9) Do not allow to be used as a toy. Close attention is necessary when used by or near small children.
- 10) The hose contains electrical wires. Do not use if damaged, cut or punctured. Avoid picking up sharp objects.
- 11) Do not put any object into openings.
- 12) Do not use with any opening blocked; keep free of dust, lint, hair, and anything that may reduce air flow.
- 13) Keep hair, loose clothing, fingers, and all parts of the body away from openings and moving parts.
- 14) Do not leave vacuum or brush when plugged in. Unplug from outlet when not in use and before servicing.
- 15) Do not pick up flammable or combustible liquids such as gasoline or use it in areas where they may be present.
- 16) Use extra care when cleaning on stairs.

# Brush Servicing

Disconnect hose and brush from electrical outlet and disconnect brush from wand so brush will not operate while being serviced.

To Check:

When brush is worn to the level of the base support bars, replace the brush.



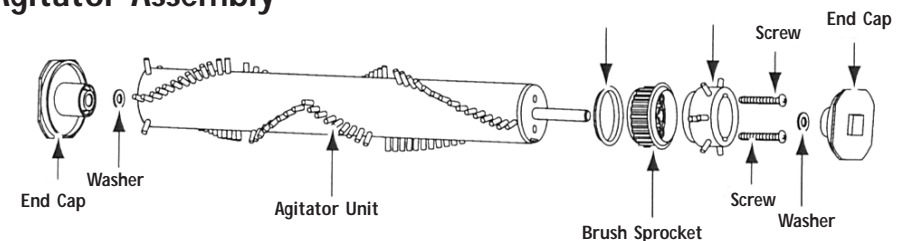
To Replace:

Remove light cover, brush cover, belt and brush assembly (follow "to remove" section in *Belt Changing and Brush Cleaning*)

- 1) Remove brush support, washers, screws, end brush and brush sprocket pieces from end of brush assembly.
- 2) Push out worn brush. If beater bar is chipped or gouged, replace it.
- 3) Reassemble brush assembly. To line up screw holes in dowel, sprocket, and end brush, be sure beater bar portion of end brush lines up with beater bar on brush dowel.
- 4) Replace belt, brush assembly, brush cover and light cover.

# Brush Assembly

## Agitator Assembly



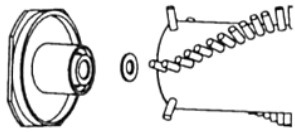
## Limited Warranty

The CF14DXQD are warranted against defects in material and workmanship for a period of one (1) year. This warranty covers brushes used for household purposes only, provided all guidelines in this manual are followed. This warranty is limited to the replacement of the defective part, the cost of shipping shall be incurred by the purchaser. This warranty does not apply to bulbs and belt replacement caused by normal use. This warranty is exclusive and is in lieu of all other warranties whether written, oral, or implied. Liability is in all cases limited to the replacement of product. No liability shall be incurred for any other damages arising from the sale or use of this product whether consequential, indirect, incidental, or act of God.

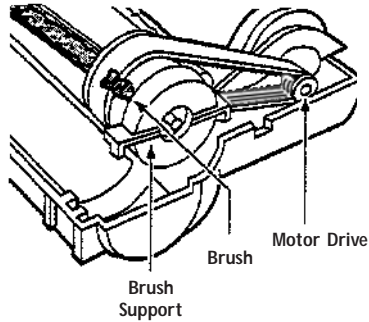
# Electric Brush Care

To Replace:

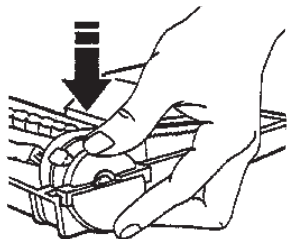
- 1) Slide washers and end caps onto agitator assembly.



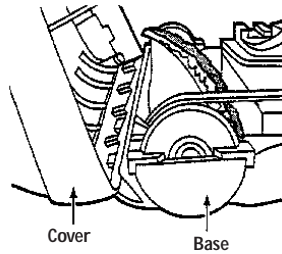
- 2) Install new belt over motor drive, then over brush sprocket.



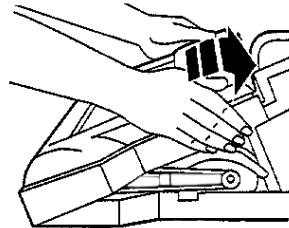
- 3) Snap brush supports into place.



- 4) Line up front cover and base. Rest cover on front edge of base as shown.



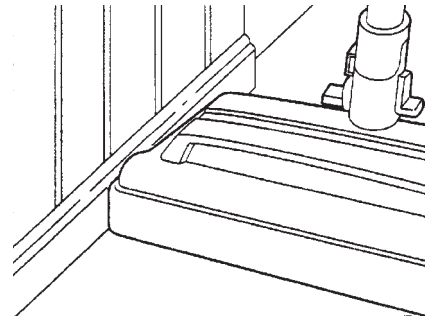
- 5) Tilt cover to back. Press cover firmly until side tabs snap into place. Replace cover screws, light bulb and light cover.



# Special Features

## Edge Cleaner

Active brush edge cleaners are on both sides of either electric brush. Guide either side of the brush along base boards or next to furniture to help remove dirt trapped at carpet edges.

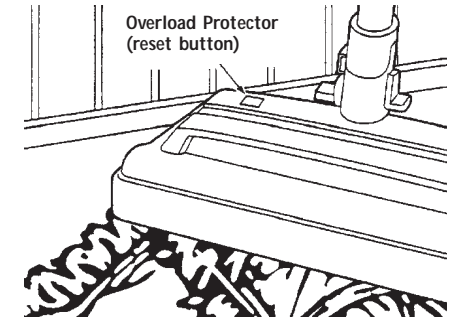


## Overload Protector

The overload protector protects the motor from brush jamming and belt breakage. If the brush stops, the overload protector will stop either electric brush.

To correct problem:

Unplug the electrical cord. Check brush area for excessive lint buildup or jamming



To reset:

Press reset button on top of the brush. Plug in and turn on vacuum and brush.

# Wand Release

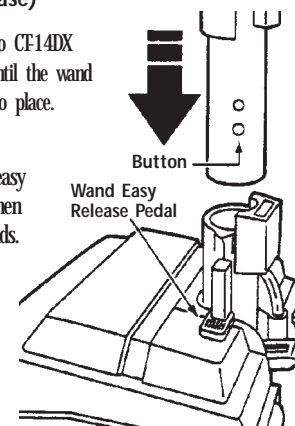
## CT-14DXQD Electric Brush

(Wand Release)

Insert wands into CF14DX Electric Brush until the wand button snaps into place.

To remove:

Step on wand easy release pedal, then pull up on wands.

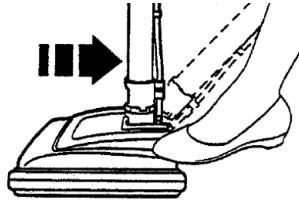


# Electric Brush Use

## How to start.

CT-14DXQD:

- 1) To lower wand press on the large pedal marked "Handle Release".
- 2) Start vacuum and electric brush.



## Change Pile Settings:

Select a pile height setting by using the pile height lever.

The pile height setting is shown on the control. The deeper the pile of the carpet, the higher the setting.

## Suggested pile height settings:

For best deep down cleaning use the XLO setting. However you may need to raise the height to make some jobs easier.

As a general guide:

- XLO — most carpet heights
- LO — short to medium pile
- MED — medium to long pile
- HI — shag and long pile

# Electric Brush Care



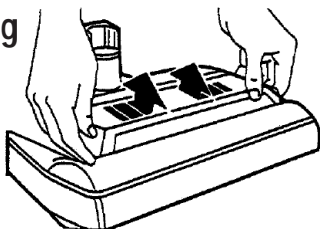
## WARNING

Electric Shock Hazard

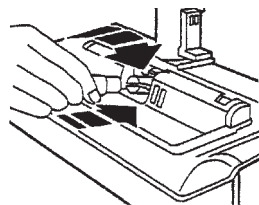
Disconnect electrical supply before servicing or cleaning the unit. Failure to do so could result in electrical shock or personal injury.

## Light Changing

- 1) Remove light cover by pressing in and lifting both sides as shown.



- 2) Push in and turn bulb to remove.



- 3) Replace bulb and snap light cover in place. Note: Replacement bulb number is EB21016.

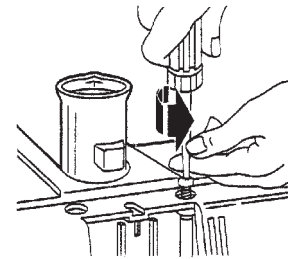
# Electric Brush Care

## Belt Changing and Brush Cleaning

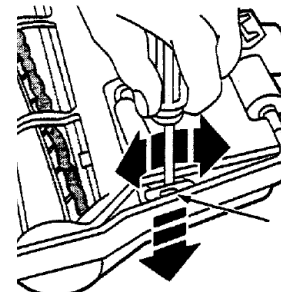
Disconnect hose and brush from electrical outlet. Frequently check and remove hair, string and lint buildup in brush area. If buildup becomes excessive, disconnect the brush from wand and follow steps below.

To Remove:

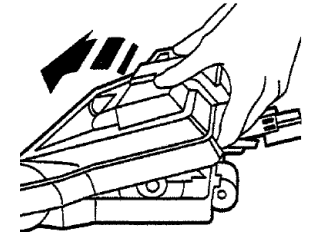
- 1) Remove light cover and light bulb as shown under *Light Changing*. (See illustrations on previous page)
- 2) Unscrew the brush cover screws.



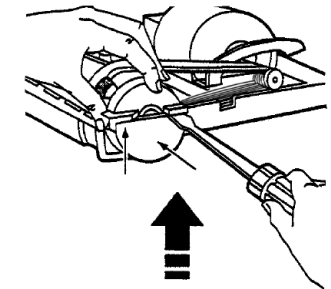
- 3) Turn brush over. To remove cover, insert screwdriver at cover tabs on both sides and twist to release tabs.



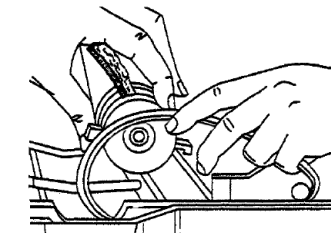
- 4) Turn brush over. To remove cover, insert screwdriver at cover tabs on both sides and twist to release tabs.



- 5) Carefully insert and lift screwdriver at each brush support to free brush from base.



- 6) Remove broken or worn belt.



- 7) Slide brush supports off to check and clean brush support areas. See *Brush Assembly* for picture of complete brush.

